

PROPRIETARY AND CONFIDENTIAL
 THE INFORMATION CONTAINED IN THIS DRAWING IS THE SOLE PROPERTY OF ARDENT CONCEPTS, INC. ANY REPRODUCTION IN PART OR AS A WHOLE WITHOUT THE WRITTEN PERMISSION OF ARDENT CONCEPTS, INC. IS PROHIBITED.

REVISIONS			
REV.	DESCRIPTION	DATE	APPROVED
NR	RELEASED; ECN11-XXXX	6-2-11	BMS

D

C

B

A

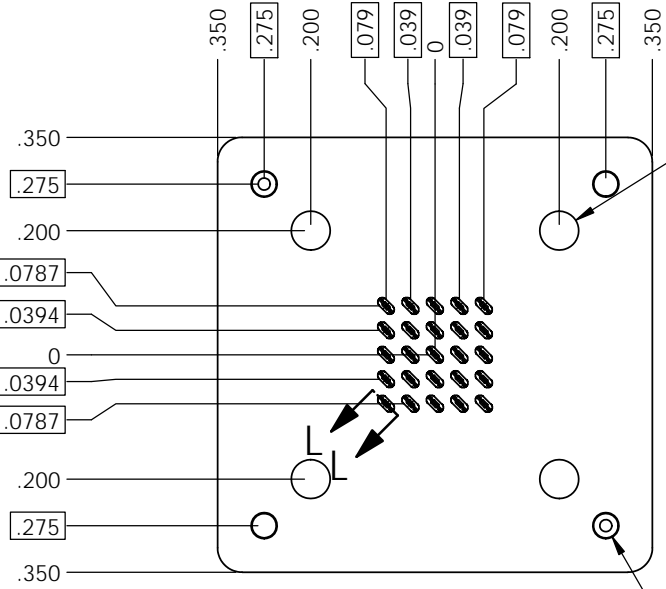
D

C

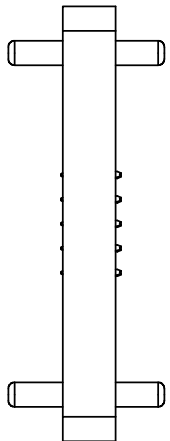
B

A

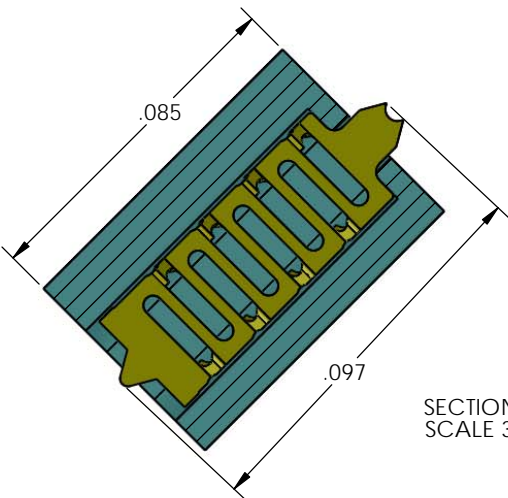
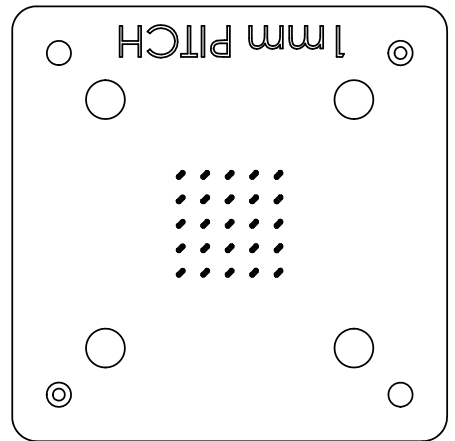
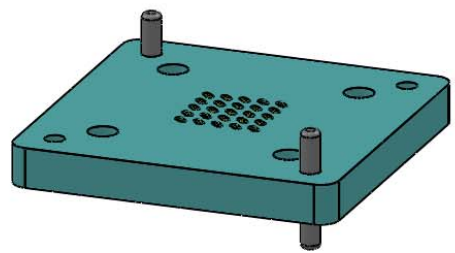
8 7 6 5 4 3 2 1



Ø.063 THRU
4 PLACES



Ø1mm DOWEL PIN
2 PLACES



SECTION L-L
SCALE 32 : 1

NOTES:
1. CONTACT TO GENERATE 25+/-20% GRAMS AT .007" DEFLECTION

INCH UNLESS OTHERWISE SPECIFIED, ALL DIMENSIONS ARE IN MILLIMETERS TOLERANCES: ANGLES: ± 3 X.XX = ± .005 X.XXX = ± .002 X.XXXX = ± .001		DRAWN: BMS DATE: 6-2-11 CHECKED: ENG APPR:	ARDENT CONCEPTS 102 MERRILL INDUSTRIAL DR, SUITE 102 HAMPTON, NH 03842 (603) 926-2517
CHANGE: [Hexagon] NOTE: [Triangle] FINISH: [Circle]	SIZE: B TITLE: CR08-01 TEST COUPON ASSEMBLY	INTERPRET GEOMETRIC TOLERANCING PER: ANSI Y14.5M 1982 DWG. NO.: CPCR0801-015 WWW.ARDENTCONCEPTS.COM	

8 7 6 5 4 3 2 1