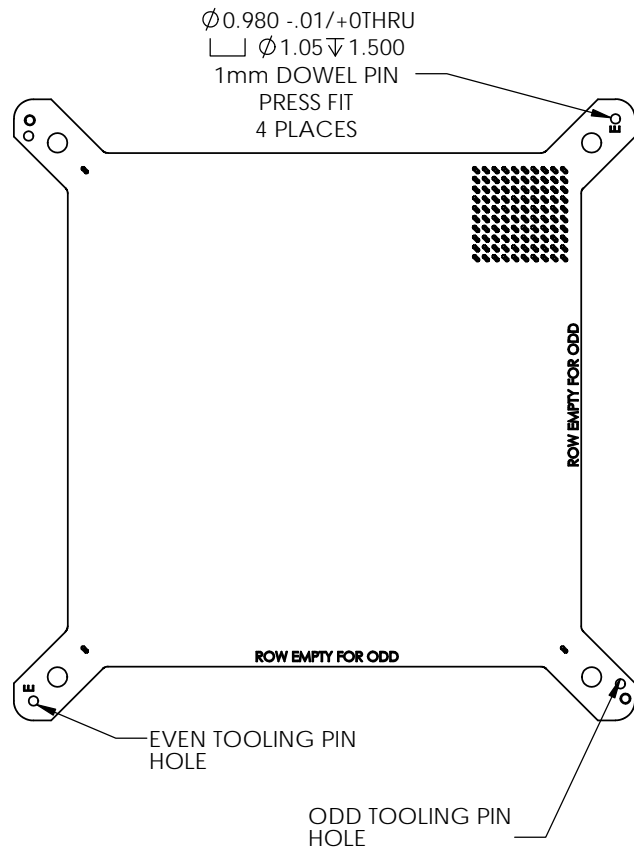


REVISIONS			
REV.	DESCRIPTION	DATE	APPROVED
NR	ECN11-XXXX, RELEASED	4/1/11	BMS

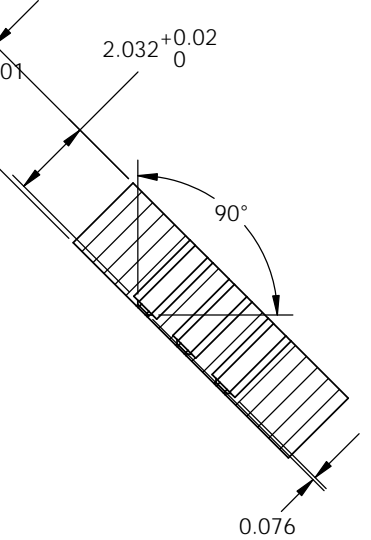
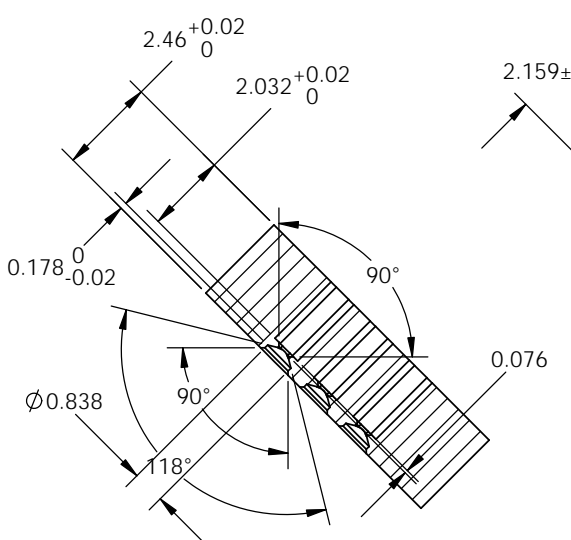
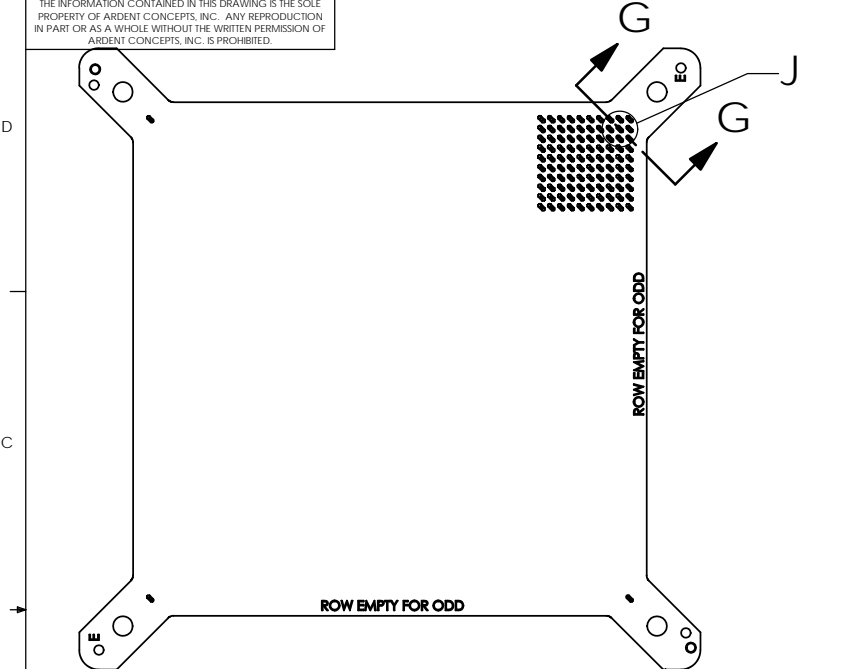


INCHES UNLESS OTHERWISE SPECIFIED ALL DIMENSIONS ARE IN MILLIMETERS TOLERANCES: X.XX = \pm .005 X.XXX = \pm .002 X.XXXX = \pm .001 ANGLES: \pm 3	DRAWN BMS	DATE 4-1-11	ARDENT CONCEPTS 4 MERRILL INDUSTRIAL DR, SUITE 102 HAMPTON, NH 03842 (603) 926-2517
CHANGE	NOTE	PROJECTION	

SIZE B	TITLE: 50X50 UNIVERSAL INSULATOR FOR 1mm RC Connect-R	REV NR
MATERIAL BLACK ULTEM 1000, LCP	INTERPRET GEOMETRIC TOLERANCING PER: ANSI Y14.5M 1982	DWG. NO. SK11-0279-01
FINISH ---	WWW.ARDENTCONCEPTS.COM	SCALE: 2:1
WEIGHT:		SHEET 1 OF 2

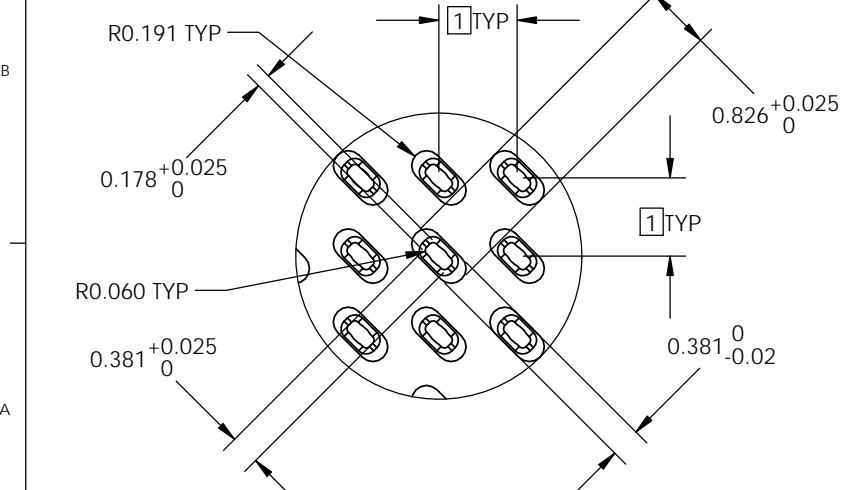
PROPRIETARY AND CONFIDENTIAL
 THE INFORMATION CONTAINED IN THIS DRAWING IS THE SOLE
 PROPERTY OF ARDENT CONCEPTS, INC. ANY REPRODUCTION
 IN PART OR AS A WHOLE WITHOUT THE WRITTEN PERMISSION OF
 ARDENT CONCEPTS, INC. IS PROHIBITED.

REVISIONS			
REV.	DESCRIPTION	DATE	APPROVED
NR	NOT RELEASED	---	SD



SECTION G-G
 SCALE 8 : 1
 BGA CAVITY
 2500 PLACES

SECTION H-H
 SCALE 8 : 1
 LGA CAVITY
 2500 PLACES



DETAIL J
 SCALE 16 : 1

METRIC UNLESS OTHERWISE SPECIFIED. TOLERANCES: ANGLES: ± 3 X.X ± ± 1 X.XX ± ± 0.05 X.XXX ± ± 0.020		DRAWN: BMS DATE: 4/1/11 CHECKED: ENG APPR:	ARDENT CONCEPTS 4 MERRILL INDUSTRIAL DR, SUITE 102 HAMPTON, NH 03842 (603) 926-2517
CHANGE: [Hexagon] MATERIAL: LCP or ULTEM FINISH: ---	NOTE: [Triangle] PROJECTION: [Circle with arrow] SIZE: B	TITLE: 50X50 UNIVERSAL INSULATOR FOR 1mm RC Connect-R DWG. NO. SK11-0279-01 SCALE: 2:1 WEIGHT:	