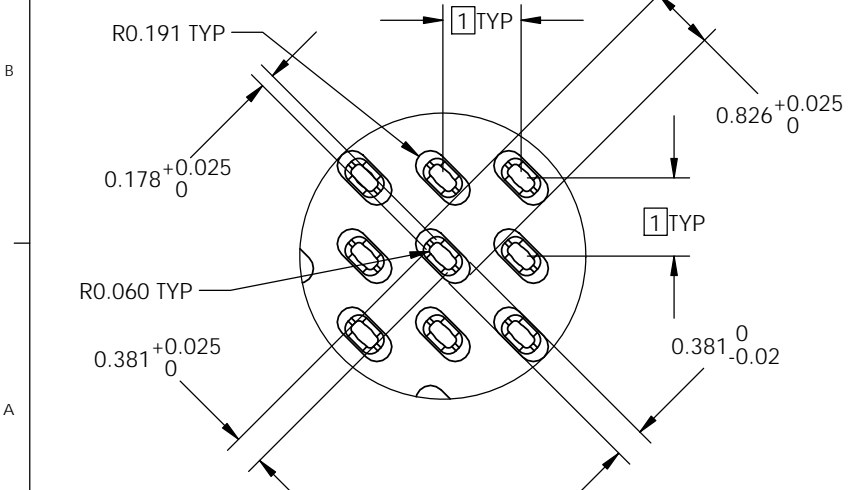
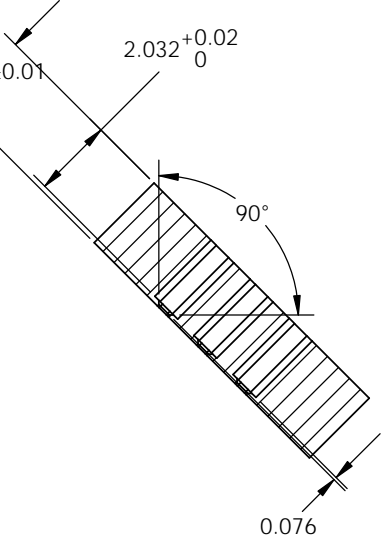
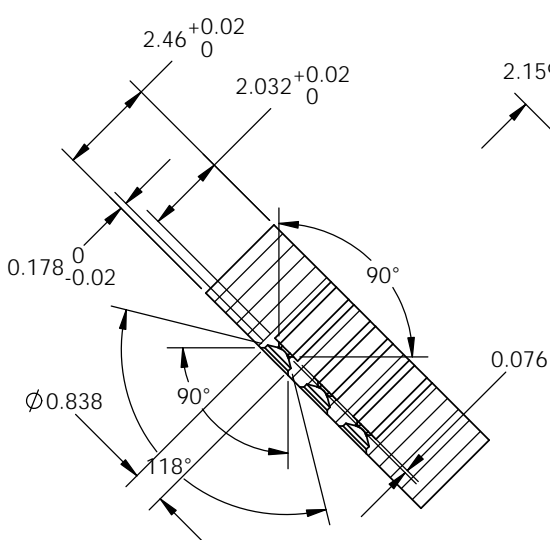
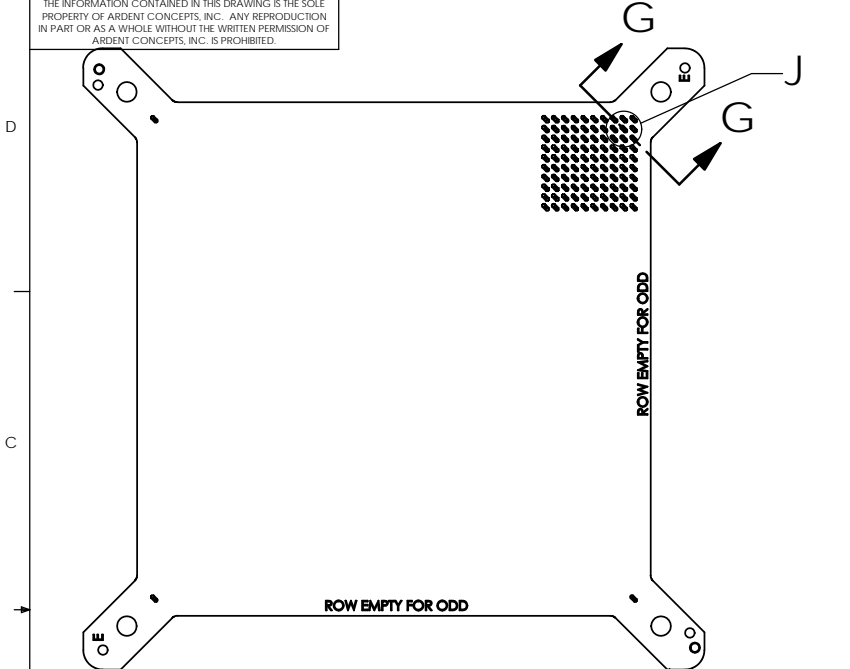




**PROPRIETARY AND CONFIDENTIAL**  
 THE INFORMATION CONTAINED IN THIS DRAWING IS THE SOLE  
 PROPERTY OF ARDENT CONCEPTS, INC. ANY REPRODUCTION  
 IN PART OR AS A WHOLE WITHOUT THE WRITTEN PERMISSION OF  
 ARDENT CONCEPTS, INC. IS PROHIBITED.

REVISIONS			
REV.	DESCRIPTION	DATE	APPROVED
NR	NOT RELEASED	---	SD



SECTION G-G  
 SCALE 8 : 1  
 BGA CAVITY  
 2500 PLACES

SECTION H-H  
 SCALE 8 : 1  
 LGA CAVITY  
 2500 PLACES

DETAIL J  
 SCALE 16 : 1

<b>METRIC</b> UNLESS OTHERWISE SPECIFIED. TOLERANCES: ANGLES: ± 3 X.X ± ± 1 X.XX ± ± 05 X.XXX ± ± 020		DRAWN: BMS DATE: 4/1/11 CHECKED: ENG APPR:	<b>ARDENT CONCEPTS</b> 4 MERRILL INDUSTRIAL DR, SUITE 102 HAMPTON, NH 03842 (603) 926-2517
CHANGE: [Hexagon] MATERIAL: LCP or ULTEM FINISH: ---	NOTE: [Triangle] PROJECTION: [Circle with arrow] SIZE: <b>B</b>	TITLE: 50X50 UNIVERSAL INSULATOR FOR 1mm RC Connect-R DWG. NO. SK11-0279-01 INTERPRET GEOMETRIC TOLERANCING PER: ANSI Y14.5M 1982	