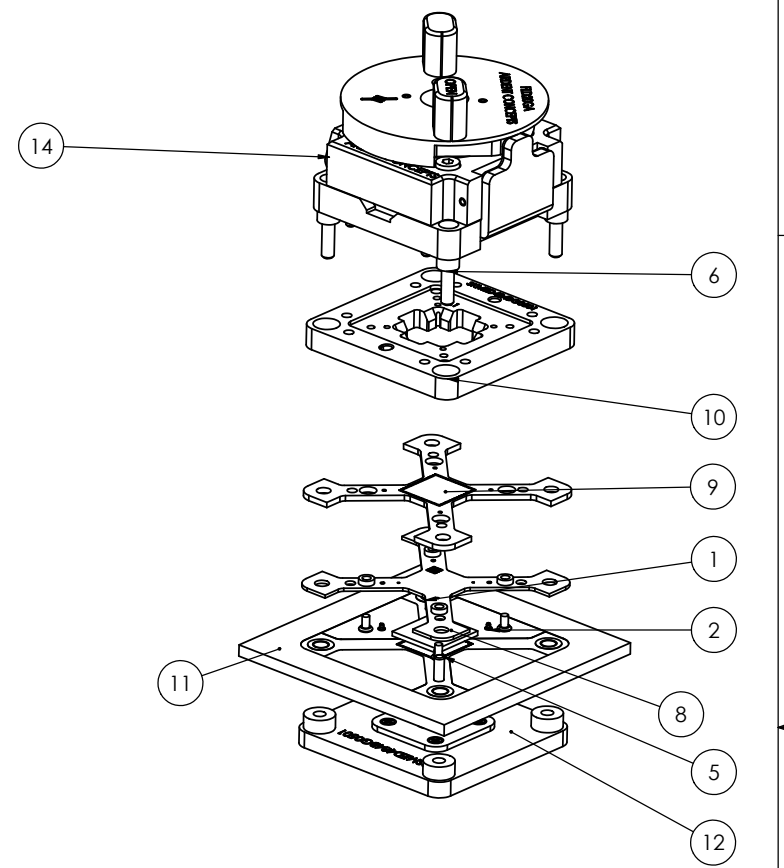


REVISIONS			
REV.	DESCRIPTION	DATE	APPROVED
A	RELEASED, ECN08-0360	11/17/08	SD



ITEM NO.	PART NUMBER	DESCRIPTION	DEFAULT/QTY.
1	080FHCS0125	0-80 FLAT HEAD X .125	4
2	ACHD-0001	RIVET	4
3	RC05-06	0.5mm Stainless RC	484
4	CE05LG02	0.5mm CONTACT ELEMENT	484
5	M20DP08	M2 DOWEL PIN X 8mm	2
6	M25SHCS08	M2.5 SOCKET HEAD CAP SCREW X 8mm L	4
8	BPMED484BG0501	BOTTOM PLATE	1
9	TPMED484BG0501	TOP PLATE	1
10	GP MED484BG0501	GUIDE PLATE	1
11	FP MED484BG0501	FOOTPRINT SPECIFICATION	1
12	SAMED484BG0501	BOARD STIFFENER ASSEMBLY	1
13	AFMED484BG0501	ASSEMBLY FIXTURE	1
14	FLDMED484BG0501	MANUAL LID ASSEMBLY	1
15	ADMED484BG0501	ASSEMBLY DAM	1

METRIC
UNLESS OTHERWISE SPECIFIED.
TOLERANCES:
ANGLES: ± 3 X.X = ±.10
 X.XX = ±.05
 X.XXX = ±.02

DRAWN: SD DATE: 04/18/08
CHECKED: _____
ENG APPR: _____

ARDENT CONCEPTS
4 MERRILL INDUSTRIAL, SUITE 102
HAMPTON, NH 03842
(603) 926-2517

SIZE: **B** TITLE: **SOCKET ASSEMBLY**

INTERPRET GEOMETRIC TOLERANCING PER: ANSI Y14.5M 1982
DWG. NO.: **SKMED484BG0501** REV: **A**

WWW.ARDENTCONCEPTS.COM SCALE: 1:1 WEIGHT: SHEET 1 OF 1