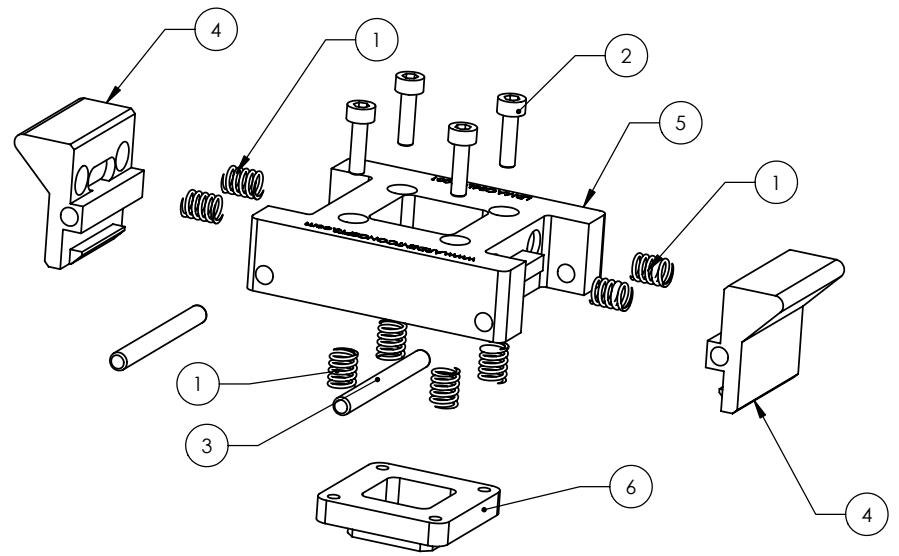
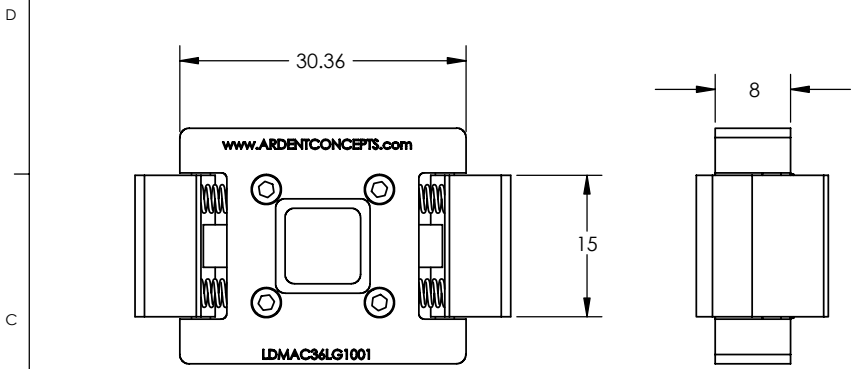


8 7 6 5 4 3 2 1

PROPRIETARY AND CONFIDENTIAL
 THE INFORMATION CONTAINED IN THIS DRAWING IS THE SOLE PROPERTY OF ARDENT CONCEPTS, INC. ANY REPRODUCTION IN PART OR AS A WHOLE WITHOUT THE WRITTEN PERMISSION OF ARDENT CONCEPTS, INC. IS PROHIBITED.

REVISIONS			
REV.	DESCRIPTION	DATE	APPROVED
A	ECN05-0048, RELEASED	11/8/05	BMS



ITEM NO.	PART NUMBER	DESCRIPTION	Default/QTY.
1	C0120-016-0250S	.120" OD COMP. SPRING .016wdX.25l	8
2	M16SHCS06	M1.6 SOCKET CAP X 6mm	4
3	M20DP20	M2 X 12 DOWEL PIN	2
4	LTCH-0005 lid latch	LATCH	2
5	LTMAC36LG1001	LID TOP	1
6	LBMAC36LG1001	LEAD BACKER	1

METRIC
 UNLESS OTHERWISE SPECIFIED:
 ALL DIMENSIONS ARE IN
 MILLIMETERS
 TOLERANCES:
 ANGLES: ± 3 X.XX = ± 05
 X.XXX = ± 025

DRAWN: BMS DATE: 11/9/05
 CHECKED: _____
 ENG APPR. _____

ARDENT CONCEPTS
 4 MERRILL INDUSTRIAL DR, SUITE 102
 HAMPTON, NH 03842
 (603) 926-2517

SIZE: **B** TITLE: 10X10 36 LEAD LGA
HAND TEST LID ASSEMBLY

CHANGE NOTE PROJECTION
 MATERIAL: ---
 FINISH: ---

INTERPRET GEOMETRIC TOLERANCING PER: ANSI Y14.5M 1982
 DWG. NO.: LDMAC36LG1001
 WWW.ARDENTCONCEPTS.COM SCALE: 2:1 WEIGHT: SHEET 1 OF 1

REV: **A**

8 7 6 5 4 3 2 1