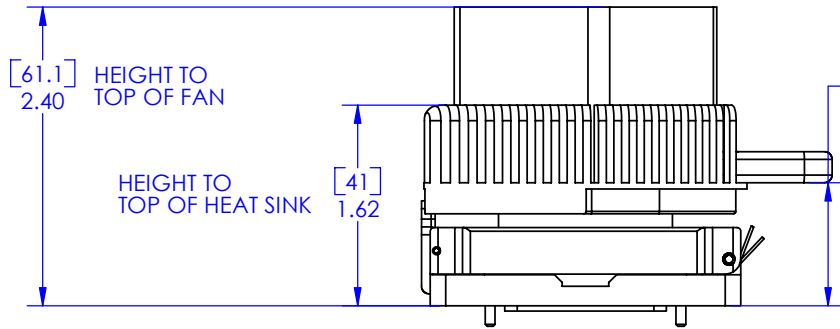
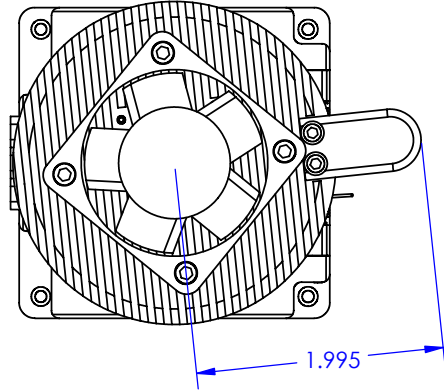
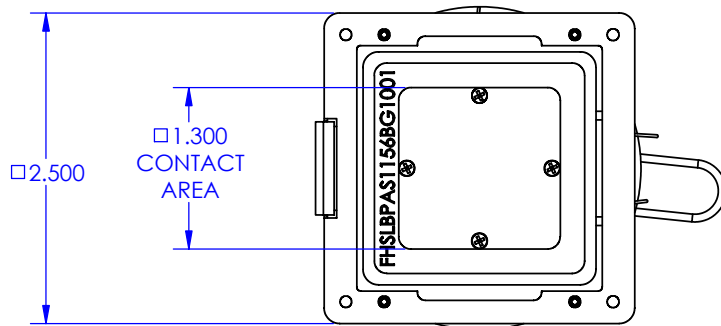
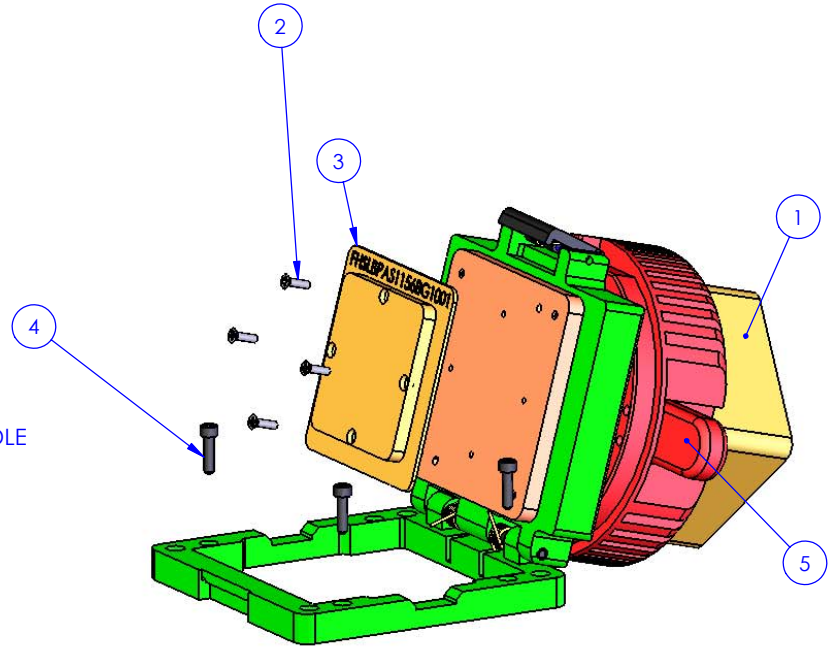


PROPRIETARY AND CONFIDENTIAL
 THE INFORMATION CONTAINED IN THIS DRAWING IS THE SOLE
 PROPERTY OF ARDENT CONCEPTS, INC. ANY REPRODUCTION
 IN PART OR AS A WHOLE WITHOUT THE WRITTEN PERMISSION OF
 ARDENT CONCEPTS, INC. IS PROHIBITED.

REVISIONS			
REV.	DESCRIPTION	DATE	APPROVED
A	RELEASED, ECN06-0106	7/20/06	SD



[25.15] .990
 HEIGHT TO BOTTOM OF HANDLE



ITEM NO.	PART NUMBER	DESCRIPTION	Default/QTY.
1	HSLD50GA	FAMILY HEAT SINK LID	1
2	080FHCS0188	0-80 FLAT HEAD X .188"	4
3	FHSLBPAS1156BG1001	LEAD BACKER	1
4	M20SHCS08	M2 SOCKET HEAD X 5mm	4
5	FHSHLPAS1156BG1001	HANDLE	1

INCH UNLESS OTHERWISE SPECIFIED. TOLERANCES: ANGLES: ±3 X.XX = ±.005 X.XXX = ±.002 X.XXXX = ±.001		DRAWN SD 7/17/06 CHECKED ENG APPR.	ARDENT CONCEPTS 4 MERRILL INDUSTRIAL DR, SUITE 102 HAMPTON, NH 03842 (603) 926-2517
CHANGE MATERIAL FINISH NOTE PROJECTION		SIZE B TITLE: FAMILY HEAT SINK LID INTERPRET GEOMETRIC TOLERANCING PER: ANSI Y14.5M 1982 DWG. NO. FHSLDPAS1156BG1001 WWW.ARDENTCONCEPTS.COM SCALE: 1:2 WEIGHT: SHEET 1 OF 1	