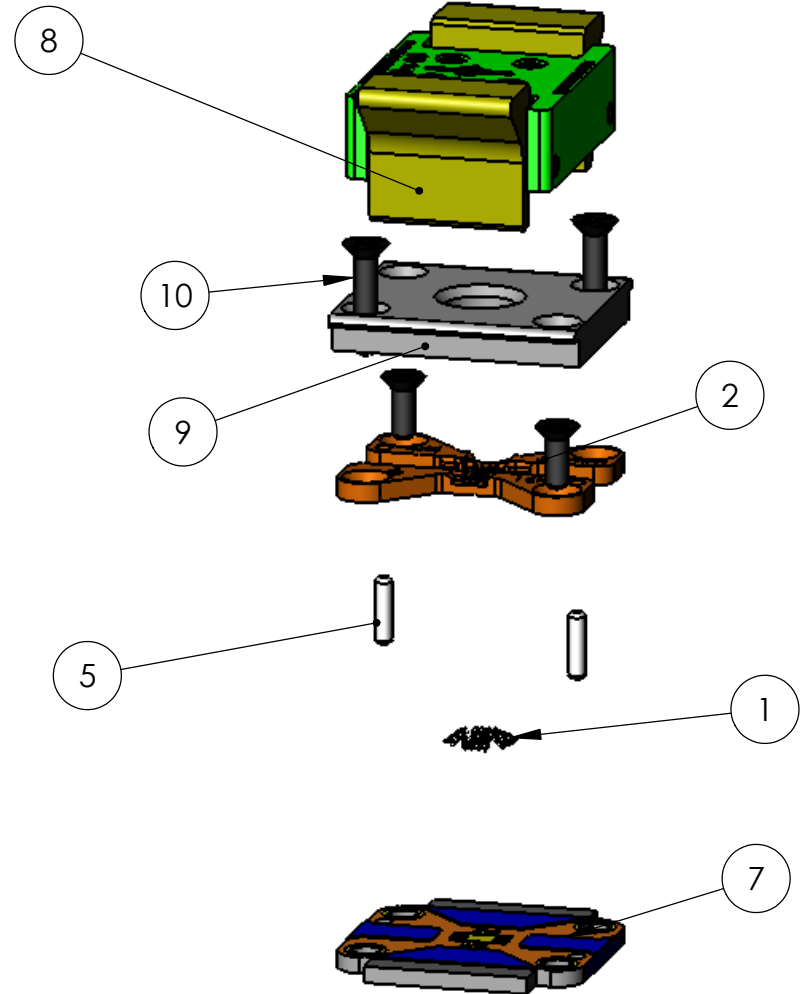
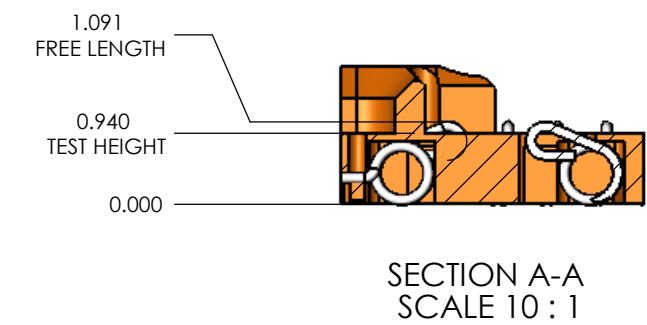
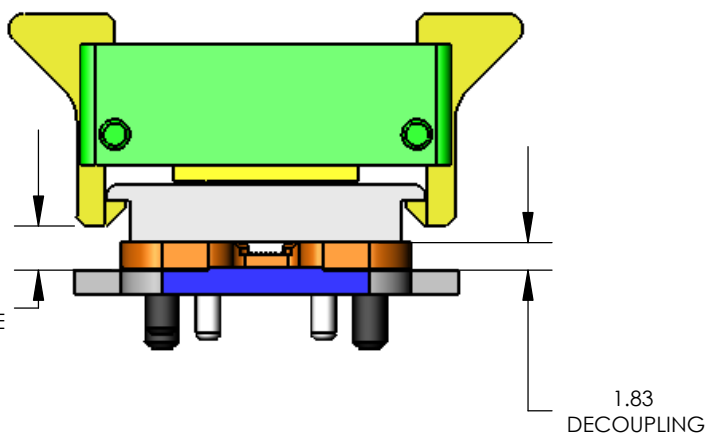
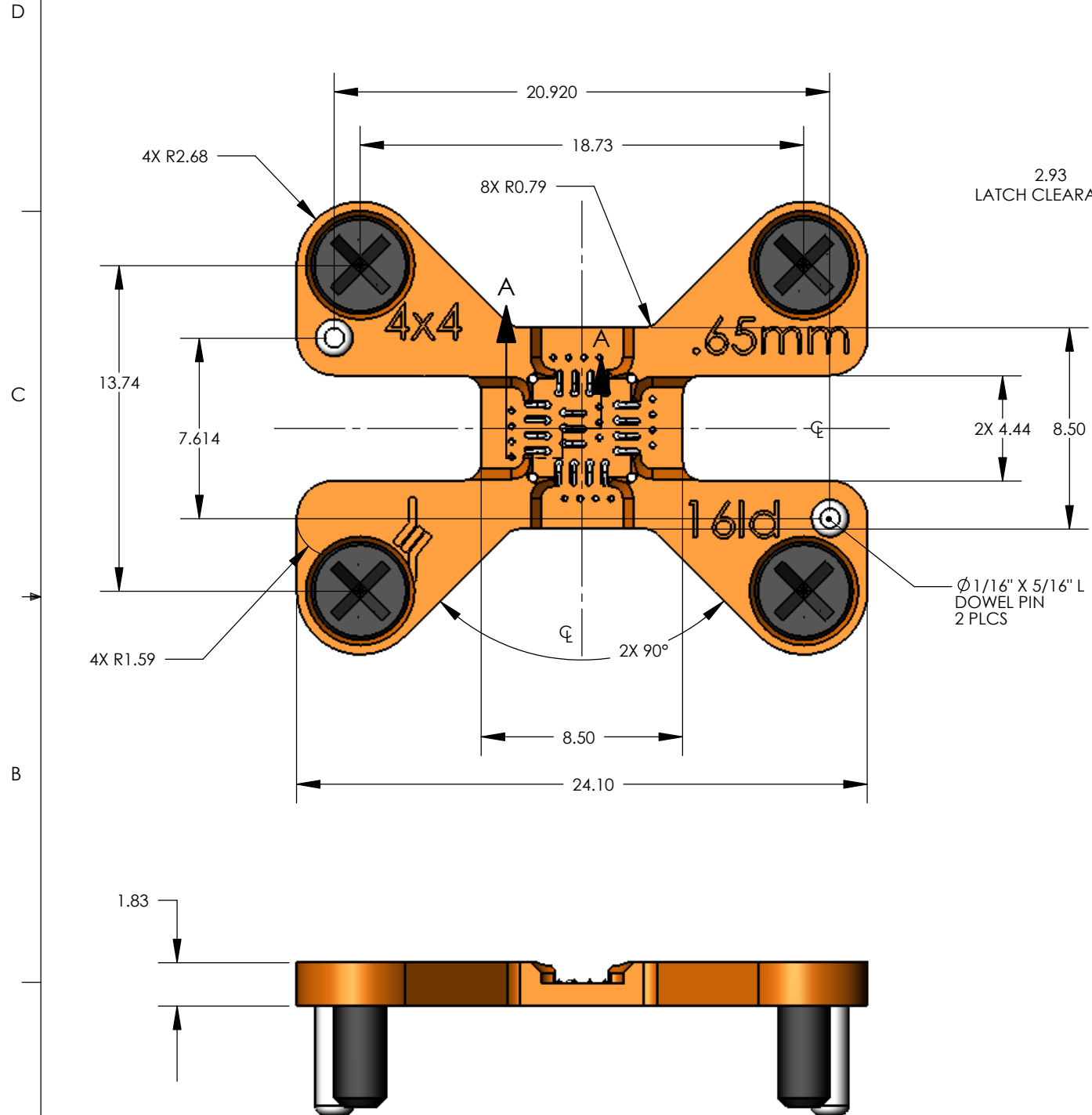


**PROPRIETARY AND CONFIDENTIAL**  
 THE INFORMATION CONTAINED IN THIS DRAWING IS THE SOLE PROPERTY OF ARDENT CONCEPTS, INC. ANY REPRODUCTION IN PART OR AS A WHOLE WITHOUT THE WRITTEN PERMISSION OF ARDENT CONCEPTS, INC. IS PROHIBITED.

REVISIONS			
REV.	DESCRIPTION	DATE	APPROVED
A	RELEASED, ECN08-0351	10/14/08	SD



ITEM NO.	PART NUMBER	DESCRIPTION	Default/QTY.
1	SC05-06	.5mm .005" Pal-7 RC Scrub-R	19
2	INAND16SN06501	INSULATOR	1
4	256FHCS0250	2-56 FLAT HEAD SCREW	4
5	063DPO250	1/16" Dowel Pin x .250"	2
6	SCAND16SN06501	SHIPPING COVER	1
7	FPAND16SN06501	FOOTPRINT SPECIFICATION	REF
8	LDAND16SN06501	HAND TEST LID	1
9	APAND16SN06501	ADAPTOR PLATE	1
10	256FHCS0375	2-56 FLAT HEAD SCREW	2
11	256NUT	2-56 NUT	4

**METRIC**  
 UNLESS OTHERWISE SPECIFIED, ALL DIMENSIONS ARE IN INCHES  
 TOLERANCES:  
 ANGLES: ± 3 X.X = ± .10  
 X.XX = ± .05  
 X.XXX = ± .02

DRAWN: SD DATE: 06/25/07  
 CHECKED: \_\_\_\_\_  
 ENG APPR: \_\_\_\_\_

**ARDENT CONCEPTS**  
 4 MERRILL INDUSTRIAL DR, SUITE 102  
 HAMPTON, NH 03842  
 (603) 926-2517

SIZE: **B** TITLE: **SOCKET ASSEMBLY**

INTERPRET GEOMETRIC TOLERANCING PER: ANSI Y14.5M 1982 DWG. NO. **SKAND16SN06501** REV **A**

WWW.ARDENTCONCEPTS.COM SCALE: 1:1 WEIGHT: SHEET 1 OF 1