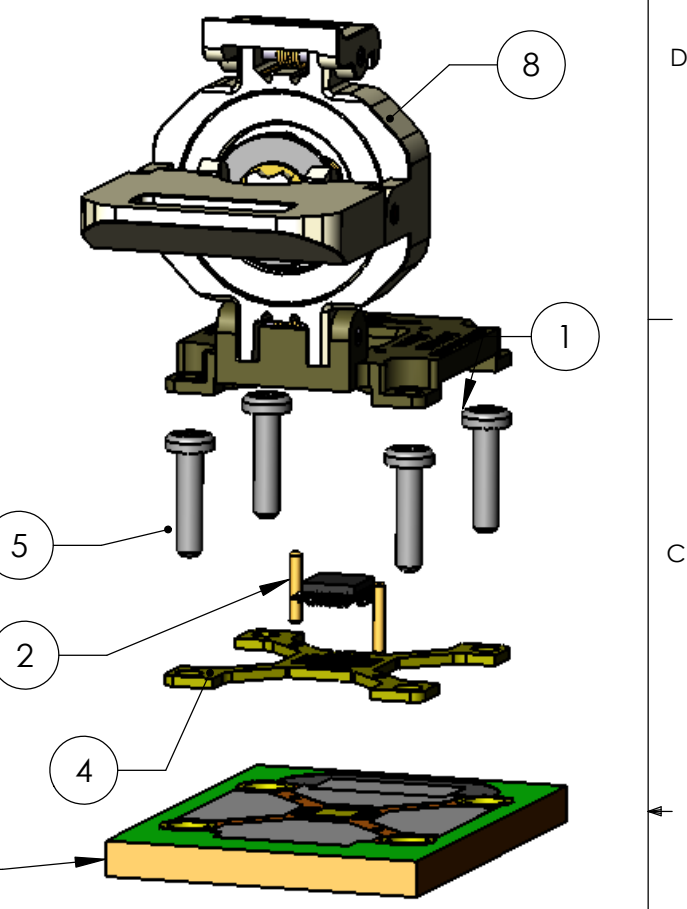
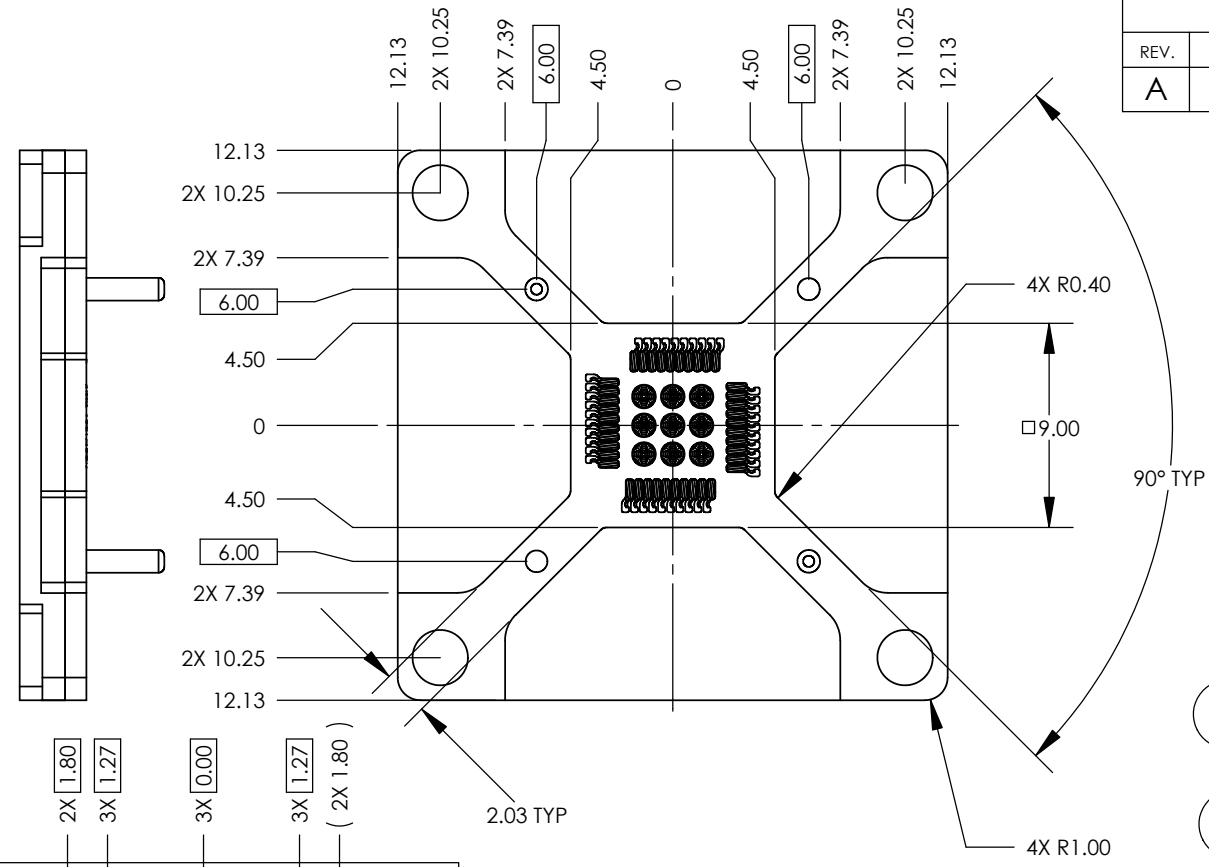
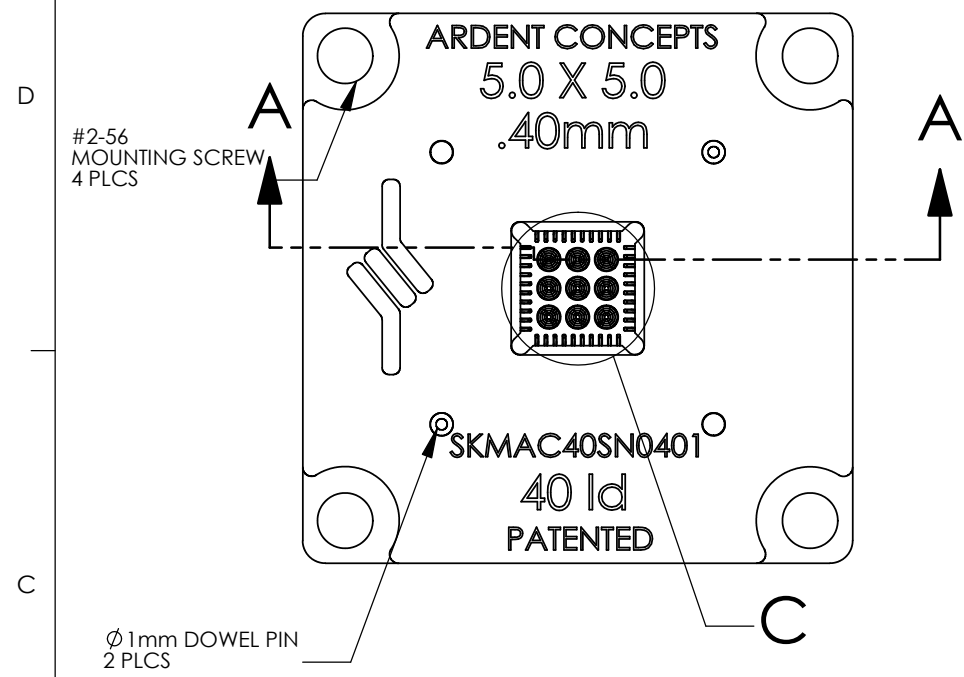
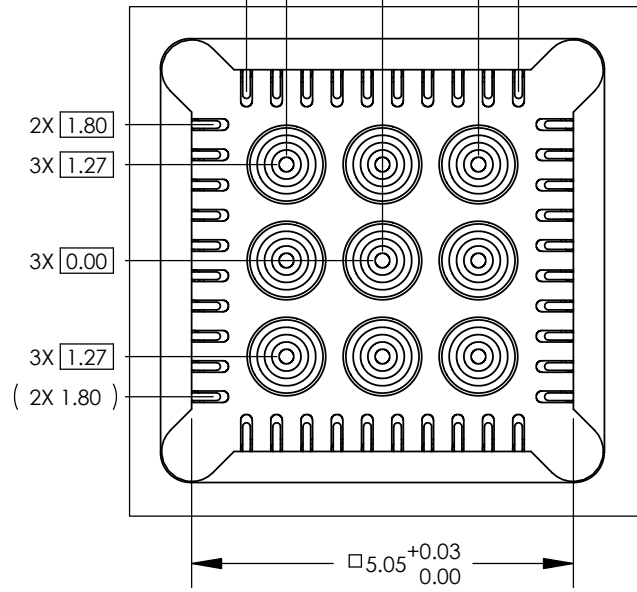
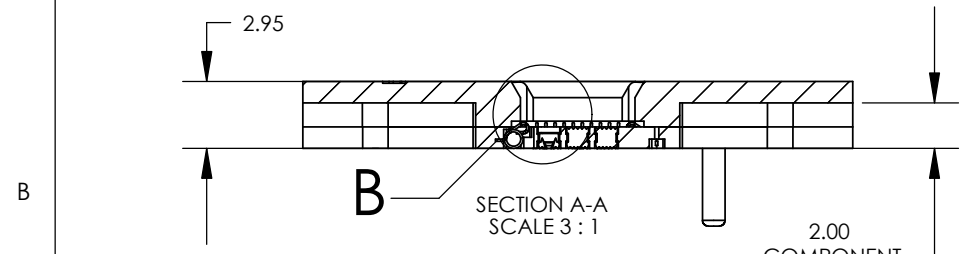


**PROPRIETARY AND CONFIDENTIAL**  
 THE INFORMATION CONTAINED IN THIS DRAWING IS THE SOLE PROPERTY OF ARDENT CONCEPTS, INC. ANY REPRODUCTION IN PART OR AS A WHOLE WITHOUT THE WRITTEN PERMISSION OF ARDENT CONCEPTS, INC. IS PROHIBITED.

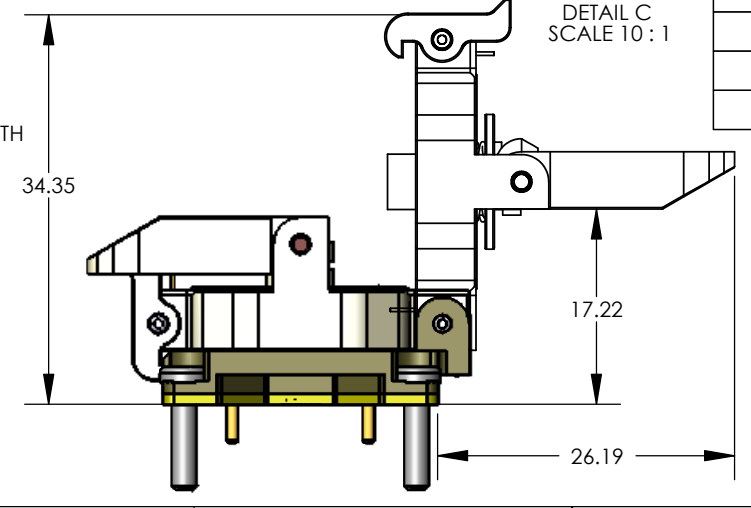
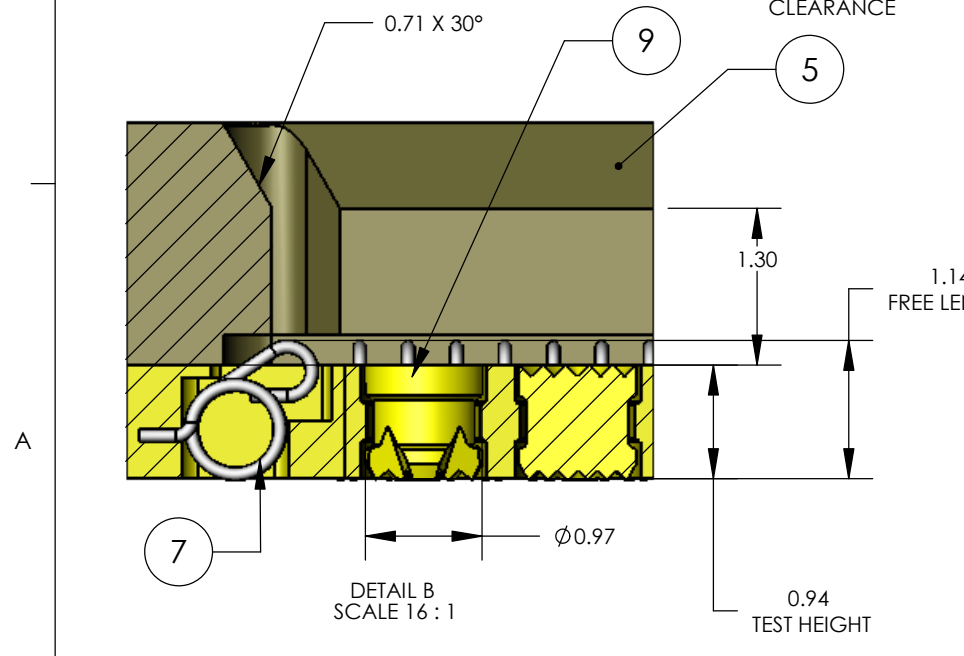
REVISIONS			
REV.	DESCRIPTION	DATE	APPROVED
A	RELEASED, ECN08-0361	11/19/08	SD



AUTOMATIC TEST CONFIGURATION



ITEM NO.	PART NUMBER	DESCRIPTION	Default/QTY.
1	256PHCS0375	#2-56 Pan Head Screw x 3/8" L	4
2	M10DP06	M1 DOWEL PIN X 6mm	2
3	FPMAC40SN0401	FOOTPRINT SPEC.	REF
4	INMAC40SN0401	INSULATOR	1
5	GPMAC40SN0401	GUIDE PLATE	1
6	SCMAC40SN0401	SHIPPING COVER	1
7	SC04-02	.4mm Pal-7 RC Scrub-R	40
8	FLDMAC40SN0401	CLAMSHELL LID	1
9	GSMAC12SN0503	GROUND SLUG	9



**METRIC**  
 UNLESS OTHERWISE SPECIFIED, ALL DIMENSIONS ARE IN MILLIMETERS  
 TOLERANCES:  
 ANGLES: ± 3 X.X = ±.10  
 X.XX = ±.05  
 X.XXX = ±.02

DRAWN: SD DATE: 11/19/08  
 CHECKED: \_\_\_\_\_  
 ENG APPR: \_\_\_\_\_

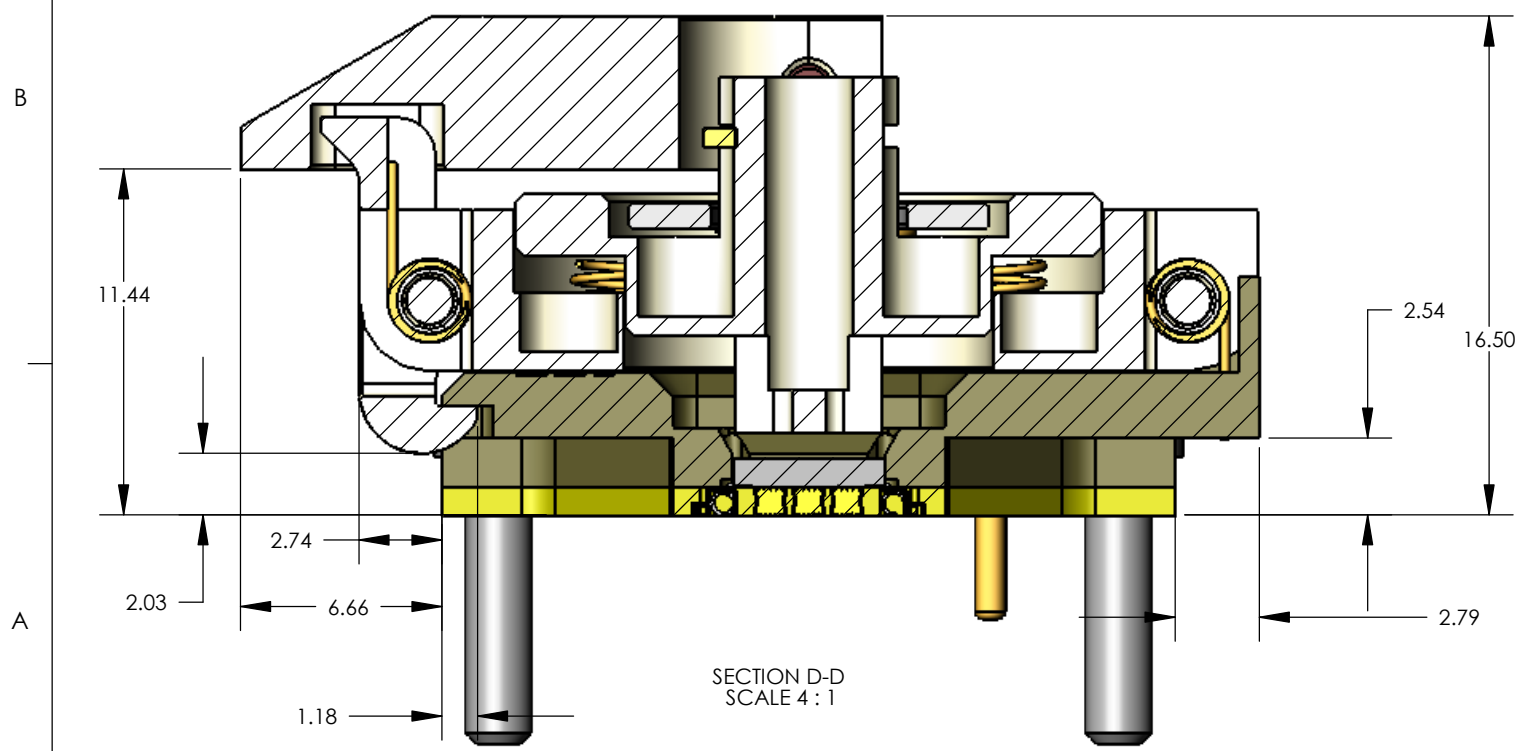
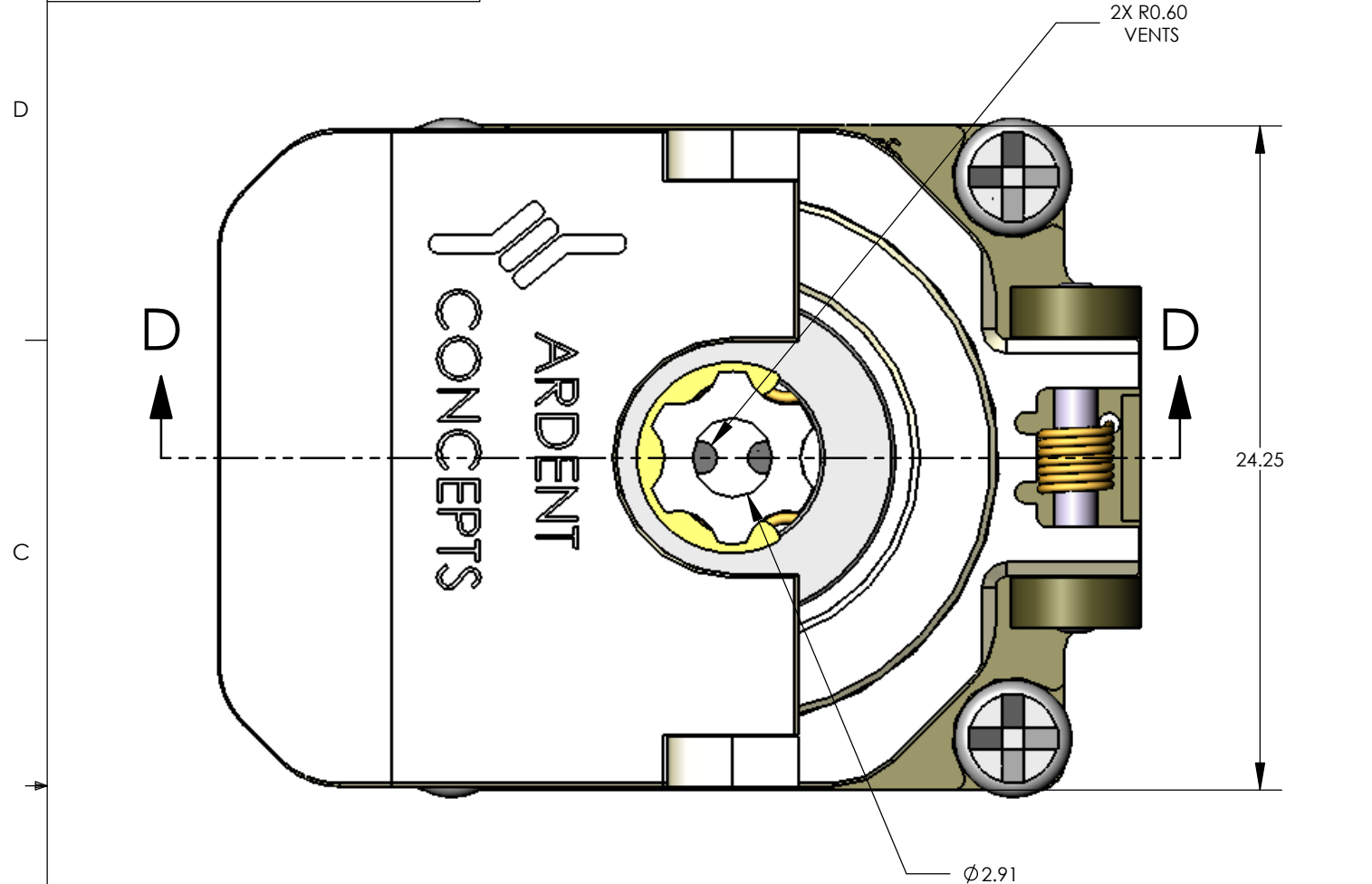
SIZE: **B** TITLE: SOCKET ASSEMBLY 5X5, .40mm, 40 LD QFN

INTERPRET GEOMETRIC TOLERANCING PER: ANSI Y14.5M 1982 DWG. NO. SKMAC40SN0401 REV: A

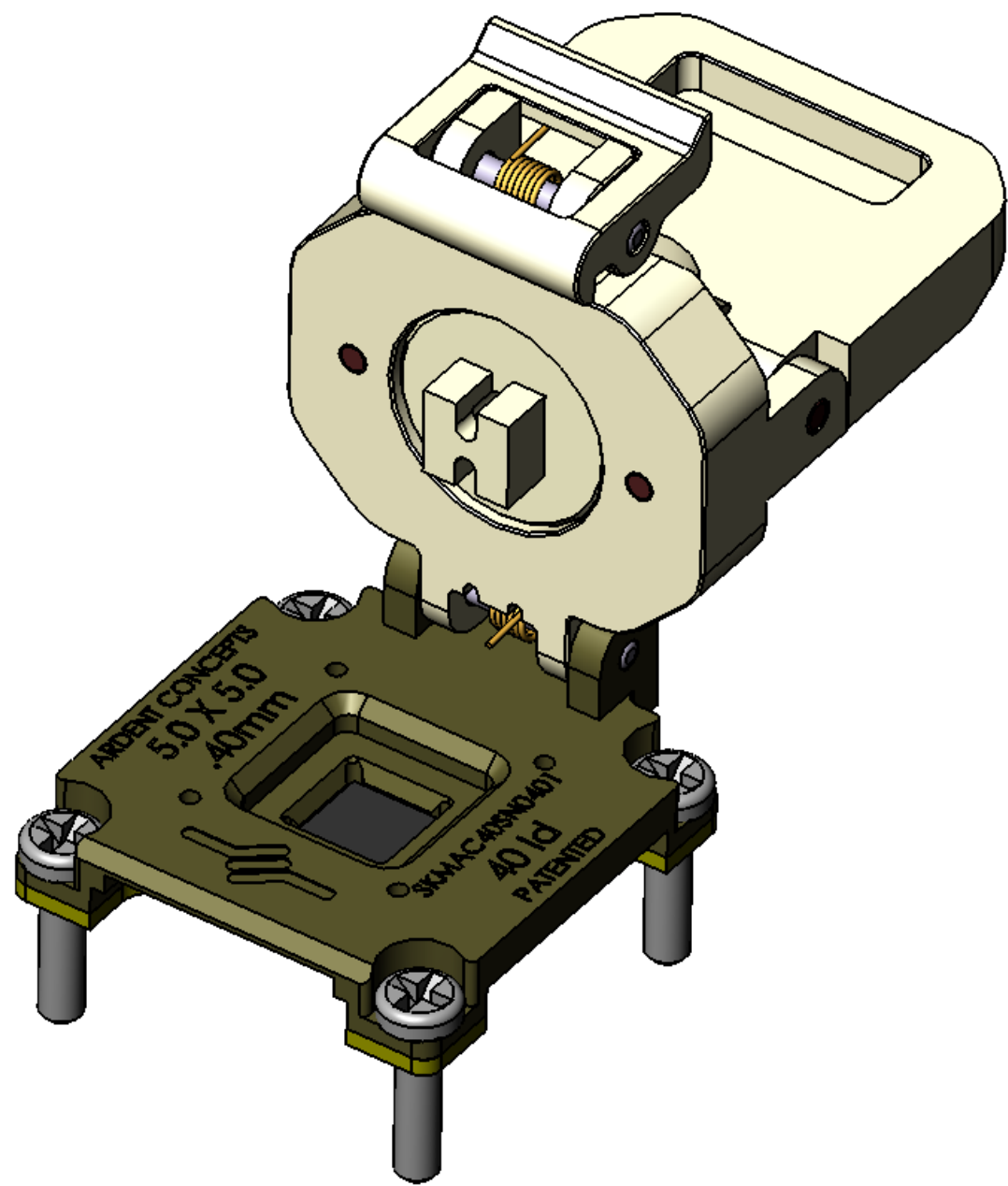
WWW.ARDENTCONCEPTS.COM SCALE: 4:1 WEIGHT: SHEET 1 OF 2

**PROPRIETARY AND CONFIDENTIAL**  
 THE INFORMATION CONTAINED IN THIS DRAWING IS THE SOLE PROPERTY OF ARDENT CONCEPTS, INC. ANY REPRODUCTION IN PART OR AS A WHOLE WITHOUT THE WRITTEN PERMISSION OF ARDENT CONCEPTS, INC. IS PROHIBITED.

REVISIONS			
REV.	DESCRIPTION	DATE	APPROVED
A	RELEASED, ECN08-0361	11/19/08	SD



BENCH TEST CONFITURATION



<b>METRIC</b> UNLESS OTHERWISE SPECIFIED. TOLERANCES: ANGLES: $\pm 3$ X.X = $\pm .10$ X.XX = $\pm .05$ X.XXX = $\pm .02$	DRAWN SD 11/19/08 CHECKED ENG APPR.	<b>ARDENT CONCEPTS</b> 4 MERRILL INDUSTRIAL DR., SUITE 102 HAMPTON BEACH, NH 03842 (603) 926-2517
	SIZE <b>B</b> TITLE: SOCKET ASSEMBLY 5X5, .40mm, 40 LD QFN INTERPRET GEOMETRIC TOLERANCING PER: ANSI Y14.5M 1982 DWG. NO. SKMAC40SN0401 WWW.ARDENTCONCEPTS.COM SCALE: 4:1 WEIGHT: SHEET 2 OF 2	

CHANGE	NOTE	PROJECTION	
MATERIAL ---			
FINISH ---			

REV  
**A**