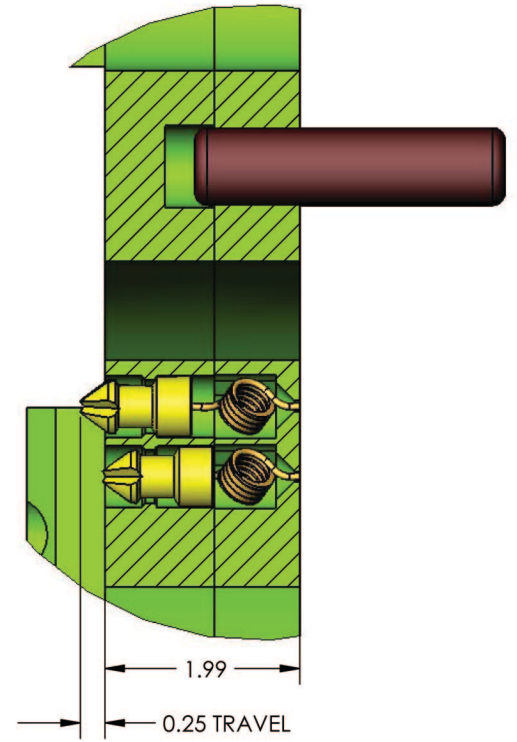
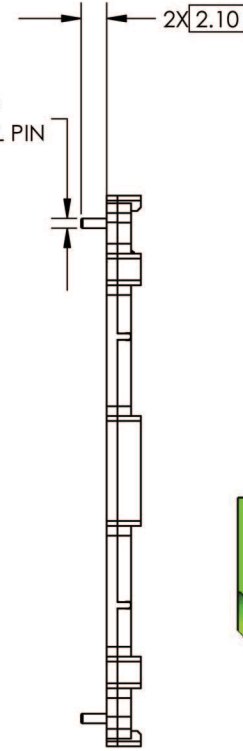
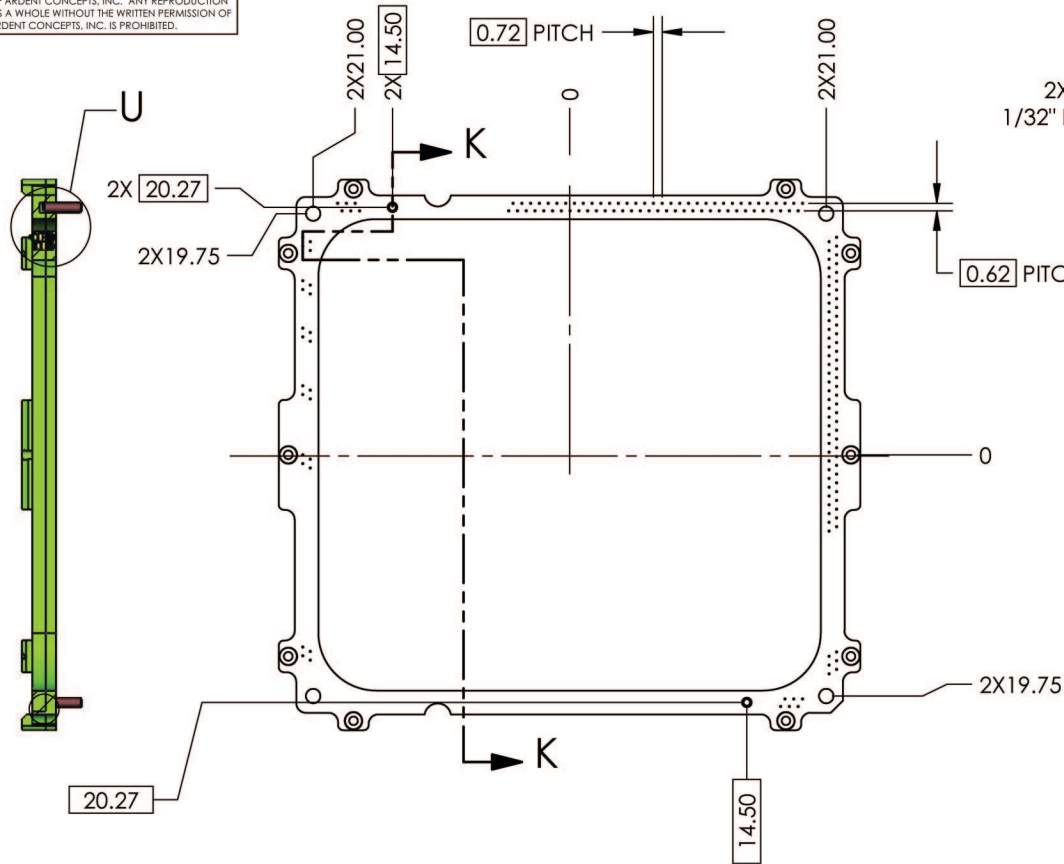


**PROPRIETARY AND CONFIDENTIAL**  
 THE INFORMATION CONTAINED IN THIS DRAWING IS THE SOLE  
 PROPERTY OF ARDENT CONCEPTS, INC. ANY REPRODUCTION  
 IN PART OR AS A WHOLE WITHOUT THE WRITTEN PERMISSION OF  
 ARDENT CONCEPTS, INC. IS PROHIBITED.

REVISIONS			
REV.	DESCRIPTION	DATE	APPROVED

D  
C  
B  
A



DETAIL U  
SCALE 20 : 1

<b>METRIC</b> UNLESS OTHERWISE SPECIFIED.		DRAWN: BMS	DATE: 4/30/09	<b>ARDENT CONCEPTS</b> 4 MERRILL INDUSTRIAL DR., SUITE 102 HAMPTON, NH 03842 (603) 926-2517
TOLERANCES:		CHECKED:	ENG APPR:	
ANGLES: ± 2 X.X = ±.2 X.XX = ±.1 X.XXX = ±.05				

CHANGE NOTE PROJECTION	SIZE: <b>B</b> TITLE: <b>178 PIN LGA CONNECTOR</b>	INTERPRET GEOMETRIC TOLERANCING PER: ANSI Y14.5M 1982 DWG. NO.: REV: <b>NR</b>	WWW.ARDENTCONCEPTS.COM SCALE: 2.5:1 WEIGHT: SHEET 1 OF 1
------------------------------	---	--	---