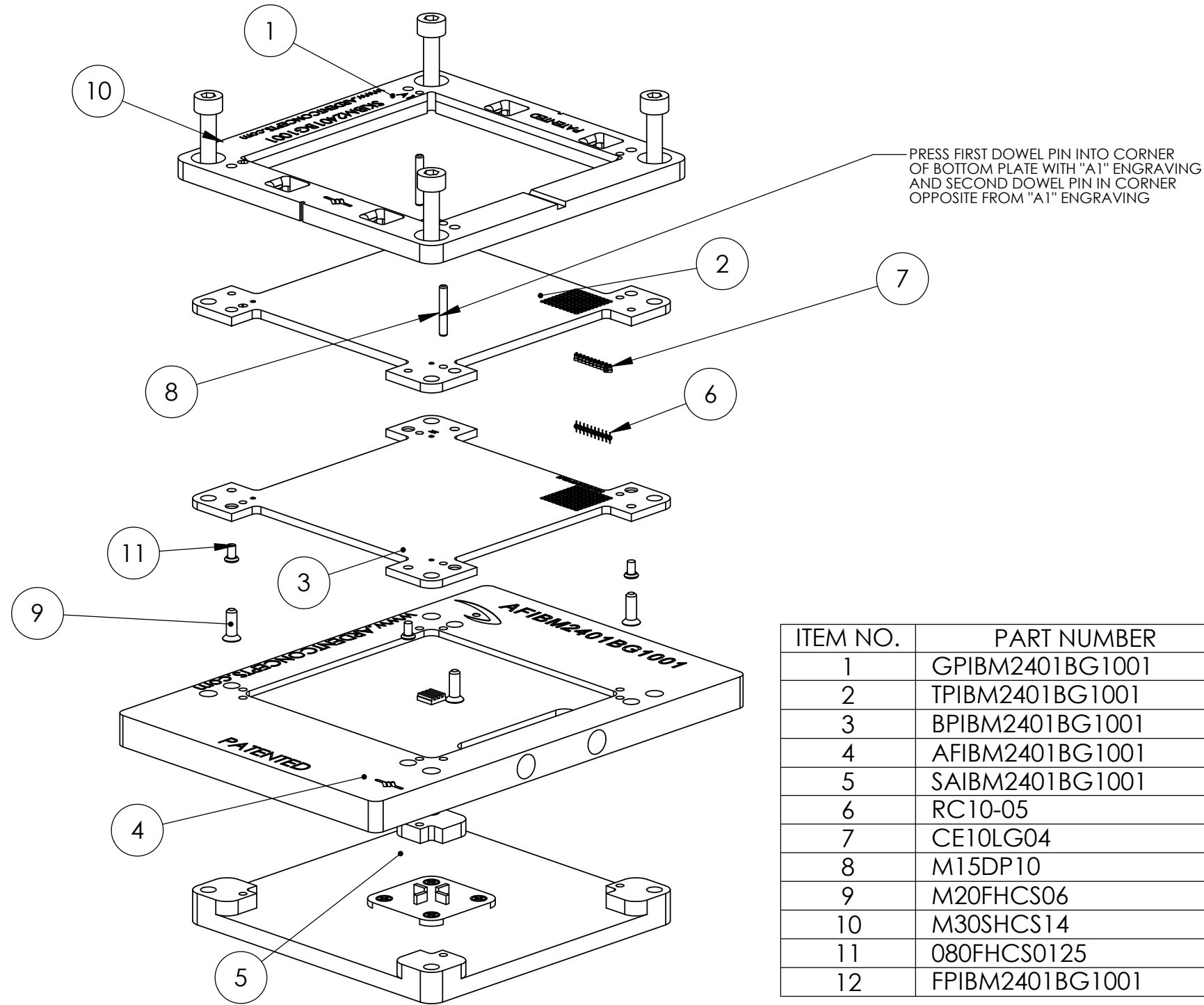


PROPRIETARY AND CONFIDENTIAL
 THE INFORMATION CONTAINED IN THIS DRAWING IS THE SOLE PROPERTY OF ARDENT CONCEPTS, INC. ANY REPRODUCTION IN PART OR AS A WHOLE WITHOUT THE WRITTEN PERMISSION OF ARDENT CONCEPTS, INC. IS PROHIBITED.

REVISIONS			
REV.	DESCRIPTION	DATE	APPROVED
A	RELEASED, ECN09-0447	09/16/09	SD
B	ECN09-0495, LONGER DOWEL PINS	12/01/09	SD

D
C
B
A

D
C
B
A



ITEM NO.	PART NUMBER	DESCRIPTION	ASSEMBLY DRAWING/QTY.
1	GPIBM2401BG1001	GUIDE PLATE	1
2	TPIBM2401BG1001	TOP PLATE	1
3	BPIBM2401BG1001	BOTTOM PLATE	1
4	AFIBM2401BG1001	ASSEMBLY FIXTURE	1
5	SAIBM2401BG1001	STIFFENER ASSEMBLY	1
6	RC10-05	1mm RC SPRINGPROBE	2401
7	CE10LG04	1mm LGA CONTACT ELEMENT	2401
8	M15DP10	M1.5 DOWEL PIN X 10mm	2
9	M20FHCS06	M2 FLAT HEAD X 6mm	4
10	M30SHCS14	M3 SOCKET HEAD X 14mm	4
11	O80FHCS0125	O-80 FLAT HEAD X .125	4
12	FPIBM2401BG1001	FOOTPRINT SPECIFICATION	REF

METRIC
 UNLESS OTHERWISE SPECIFIED.
 TOLERANCES:
 ANGLES: ± 3 X.XX = ±.1
 X.XX = ±.05
 X.XXX = ±.02

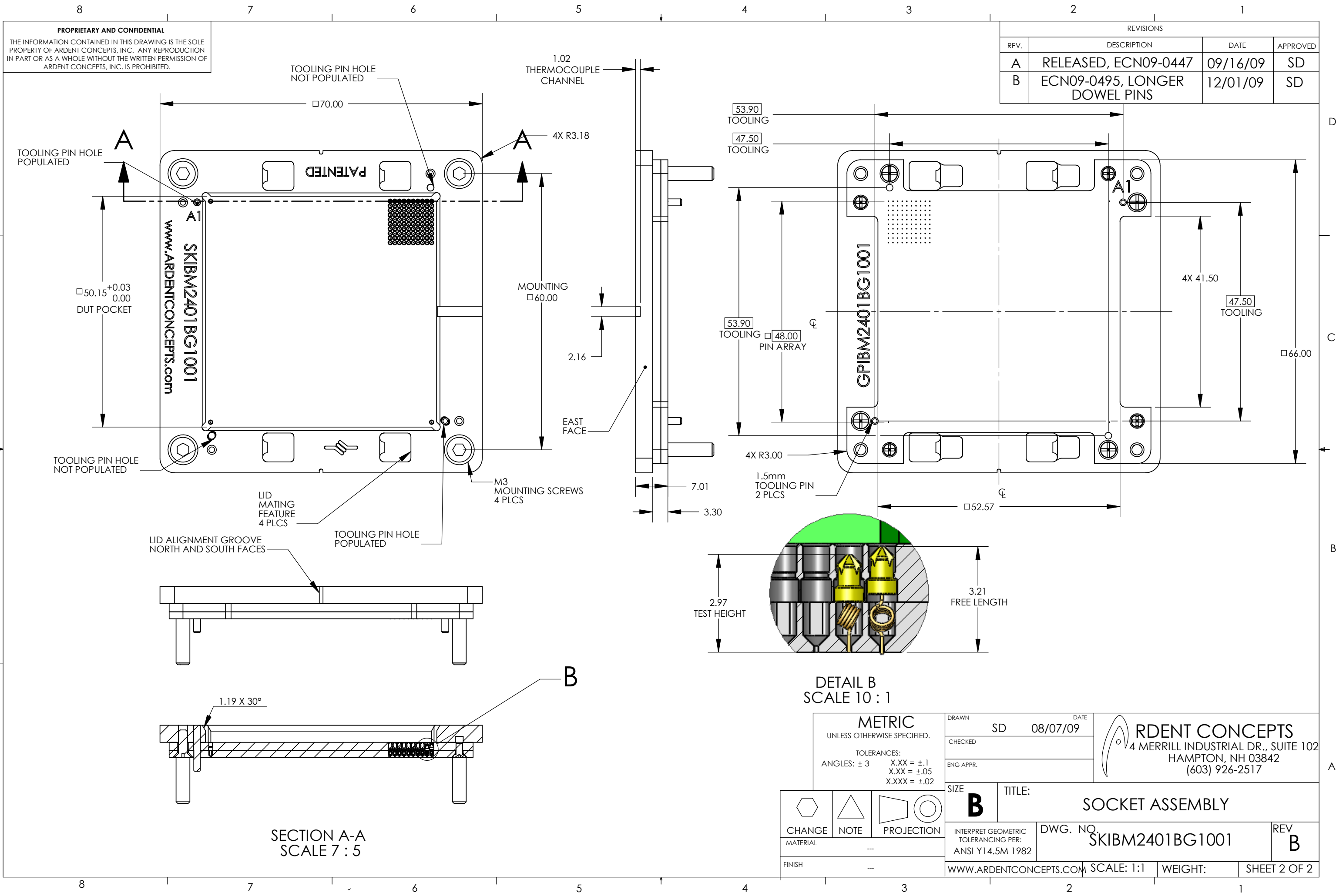
DRAWN SD 08/07/09
 CHECKED
 ENG APPR.

ARDENT CONCEPTS
 4 MERRILL INDUSTRIAL DR., SUITE 102
 HAMPTON, NH 03842
 (603) 926-2517

CHANGE	NOTE	PROJECTION	
MATERIAL	---		
FINISH	---		

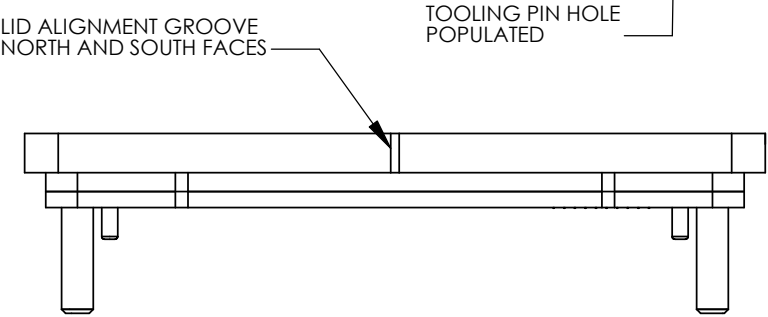
SIZE B	TITLE: SOCKET ASSEMBLY
INTERPRET GEOMETRIC TOLERANCING PER: ANSI Y14.5M 1982	DWG. NO. SKIBM2401BG1001
WWW.ARDENTCONCEPTS.COM	SCALE: 1:1
WEIGHT:	SHEET 1 OF 2

8 7 6 5 4 3 2 1

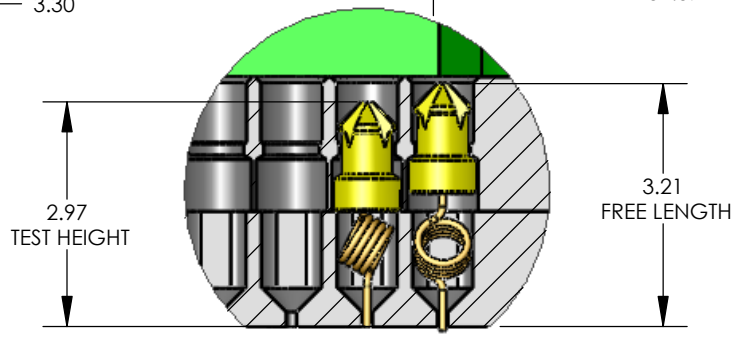


PROPRIETARY AND CONFIDENTIAL
 THE INFORMATION CONTAINED IN THIS DRAWING IS THE SOLE PROPERTY OF ARDENT CONCEPTS, INC. ANY REPRODUCTION IN PART OR AS A WHOLE WITHOUT THE WRITTEN PERMISSION OF ARDENT CONCEPTS, INC. IS PROHIBITED.

REVISIONS			
REV.	DESCRIPTION	DATE	APPROVED
A	RELEASED, ECN09-0447	09/16/09	SD
B	ECN09-0495, LONGER DOWEL PINS	12/01/09	SD



SECTION A-A
SCALE 7 : 5



DETAIL B
SCALE 10 : 1

METRIC UNLESS OTHERWISE SPECIFIED. TOLERANCES: ANGLES: ± 3 X.XX = ±.1 X.XX = ±.05 X.XXX = ±.02		DRAWN: SD DATE: 08/07/09 CHECKED: ENG APPR.:	ARDENT CONCEPTS 4 MERRILL INDUSTRIAL DR., SUITE 102 HAMPTON, NH 03842 (603) 926-2517
CHANGE: NOTE: PROJECTION: MATERIAL: --- FINISH: ---	SIZE: B TITLE: SOCKET ASSEMBLY INTERPRET GEOMETRIC TOLERANCING PER: ANSI Y14.5M 1982 DWG. NO. SKIBM2401BG1001 REV. B	WWW.ARDENTCONCEPTS.COM SCALE: 1:1 WEIGHT: SHEET 2 OF 2	