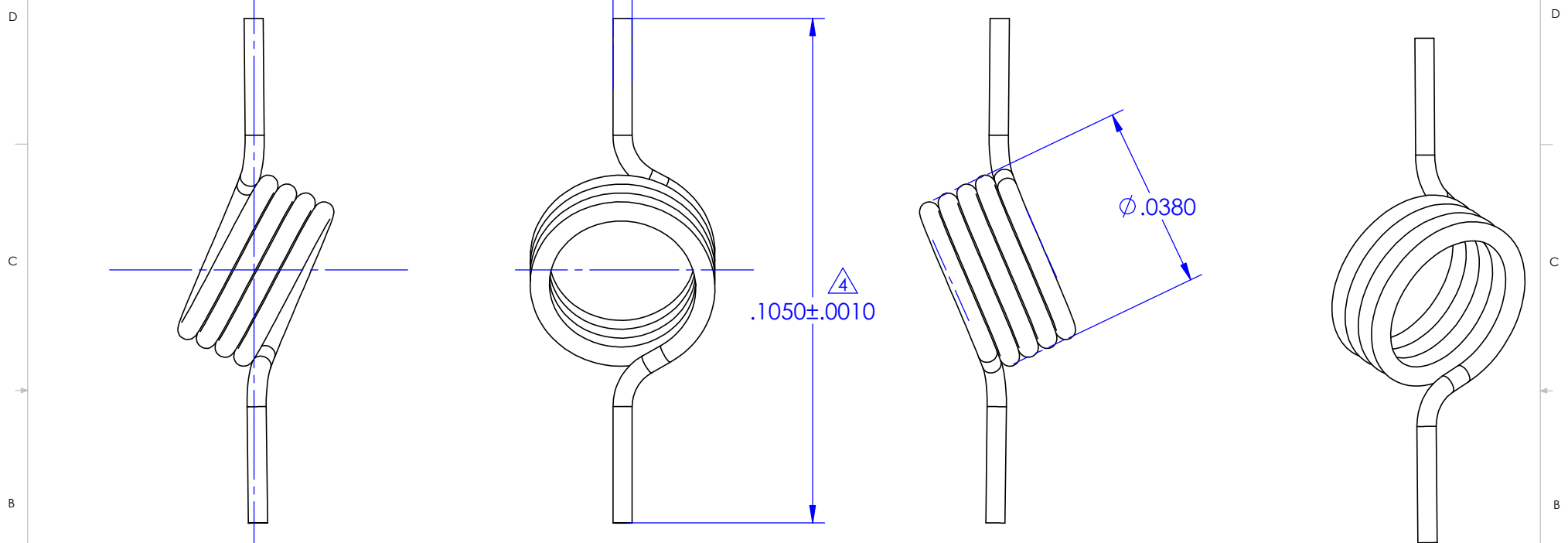


PROPRIETARY AND CONFIDENTIAL
 THE INFORMATION CONTAINED IN THIS DRAWING IS THE SOLE
 PROPERTY OF ARDENT CONCEPTS, INC.. ANY REPRODUCTION
 IN PART OR AS A WHOLE WITHOUT THE WRITTEN PERMISSION OF
 ARDENT CONCEPTS, INC. IS PROHIBITED.

REVISIONS			
REV.	DESCRIPTION	DATE	APPROVED



NOTES:

1. PATENT PENDING, CONFIDENTIAL
2. MATERIAL: \varnothing .004 BeCu ALLOY 172 WIRE.
3. WIRE FORM TO GENERATE 20 GRAMS @ .015" DEFLECTION WHEN COMPRESSED AXIALLY
4. REDOMMENDED TRAVEL .015"(.38mm) FULL TRAVEL .020" (.5mm)
5. WIRE FORM FREE LENGTHS TO BE CONSISTANT WITHIN .001"
6. CONTACT RESISTANCE .050Ohm

INCHES UNLESS OTHERWISE SPECIFIED. ALL DIMENSIONS ARE IN INCHES TOLERANCES: ANGLES: ± 3 X.XXX = $\pm .001$ X.XX = $\pm .01$ X.XXXX = $\pm .0005$		DRAWN: BMS CHECKED: ENG APPR.:	DATE: 6/15/04 ARDENT CONCEPTS 4 HIGH STREET, SUITE 14 HAMPTON, NH 03842 (603) 926-2517
CHANGE MATERIAL FINISH	NOTE NOTED NOTED	PROJECTION INTERPRET GEOMETRIC TOLERANCING PER: ANSI Y14.5M 1982	SIZE B TITLE: .27mm PITCH REDUNDANT CONTACT .090-.085" TEST HIEGHT DWG. NO. RC12-06 smd SCALE: 50:1 WEIGHT: SHEET 1 OF 1