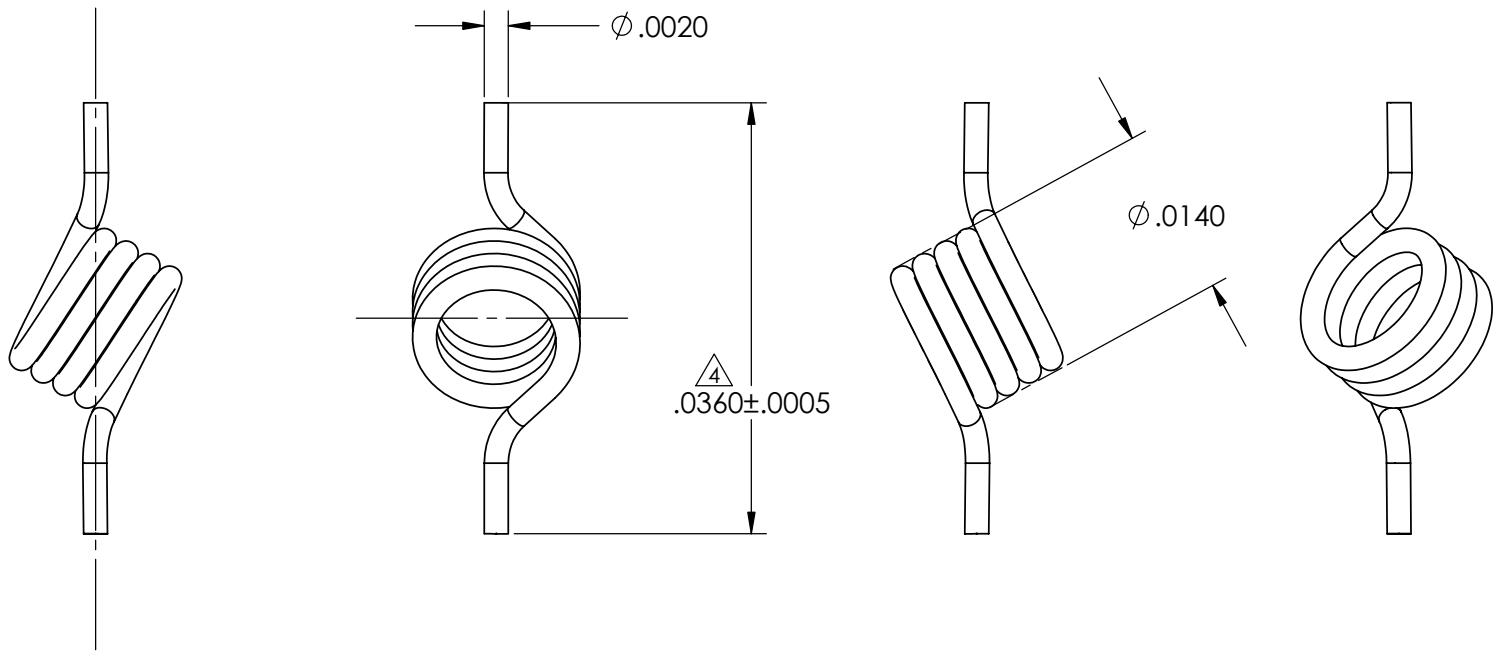


PROPRIETARY AND CONFIDENTIAL
 THE INFORMATION CONTAINED IN THIS DRAWING IS THE SOLE PROPERTY OF ARDENT CONCEPTS, INC. ANY REPRODUCTION IN PART OR AS A WHOLE WITHOUT THE WRITTEN PERMISSION OF ARDENT CONCEPTS, INC. IS PROHIBITED.

REVISIONS			
REV.	DESCRIPTION	DATE	APPROVED
NR	SALES MODEL DRAWING	6/30/04	GV



NOTES:

1. PATENTED, CONFIDENTIAL
 2. MATERIAL: ϕ .0020 BeCu ALLOY 172 WIRE
 3. WIRE FORM TO GENERATE 20 GRAMS @ .004" DEFLECTION WHEN COMPRESSED AXIALLY
- \triangle 4 WIRE FORM FREE LENGTHS TO BE CONSISTANT WITHIN .001"

INCHES UNLESS OTHERWISE SPECIFIED. ALL DIMENSIONS ARE IN INCHES TOLERANCES: ANGLES: \pm 3 X.XXX = \pm .002 X.XX = \pm .005 X.XXXX = \pm .001		DRAWN: BMS CHECKED: ENG APPR.:	DATE: 6/30/04	ARDENT CONCEPTS 4 MERRILL INDUSTRIAL DR. HAMPTON, NH 03842 (603) 926-2517
CHANGE: NOTE: PROJECTION:		SIZE: B	TITLE: .5mm PITCH REDUNDANT CONTACT .032" TEST HIEGHT	
MATERIAL: NOTED FINISH: NOTED		INTERPRET GEOMETRIC TOLERANCING PER: ANSI Y14.5M 1982	DWG. NO.: RC05-01 smd	REV: NR
WWW.ARDENTCONCEPTS.COM		SCALE: 100:1	WEIGHT:	SHEET 1 OF 1