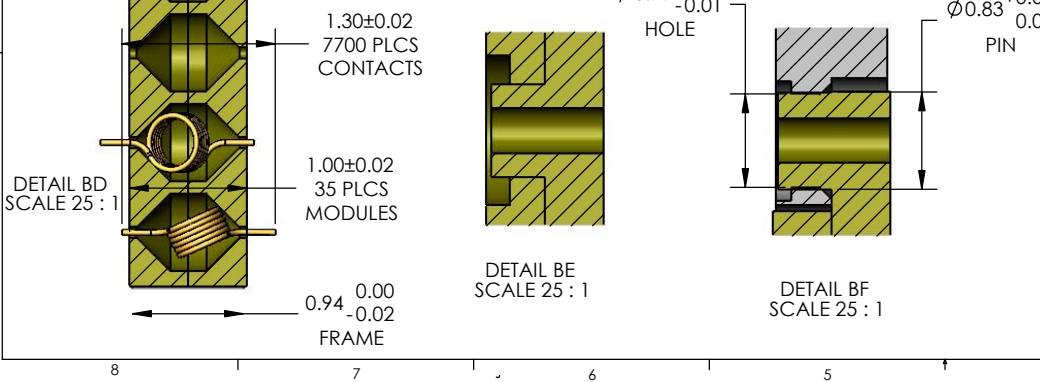
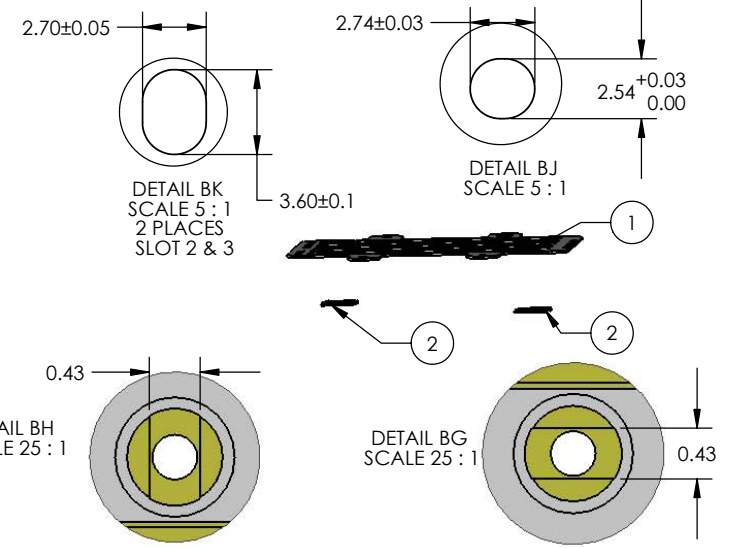


PROPRIETARY AND CONFIDENTIAL
 THE INFORMATION CONTAINED IN THIS DRAWING IS THE SOLE PROPERTY OF ARDENT CONCEPTS, INC. ANY REPRODUCTION IN PART OR AS A WHOLE WITHOUT THE WRITTEN PERMISSION OF ARDENT CONCEPTS, INC. IS PROHIBITED.

REVISIONS			
REV.	DESCRIPTION	DATE	APPROVED
A	ECN08-0317, RELEASED	7/10/08	BMS

- NOTES:**
- Contact to be Gold plated to meet environmental spec as per GEN-SPX-003 Rev B.
 - Operating b temp range is -40c to 150c
 - Contact pitch is 0.030 inches (.762mm)
 - This drawing supersedes GEN-SPX-003 Rev B where noted only. Contact force 2gf+ 0.25 gf @250micron compression. DC resistance 600mohms ave max, no pin above 1 ohm.



ITEM NO.	PART NUMBER	DESCRIPTION	Default/QTY.
1	FRD7700LG0701	7700 NODE FRAME	1
2	MDTD220LG0701	220 NODE MODULE	2
3	BCTD7700LG0701	7700 NODE FRAME	1

METRIC
 UNLESS OTHERWISE SPECIFIED, ALL DIMENSIONS ARE MILLIMETERS
 TOLERANCES:
 ANGLES: ±.5° X.XX = ±.203 X.XXX = ±.076

DRAWN: BMS 7/10/08
 CHECKED: _____
 ENG APPR: _____

ARDENT CONCEPTS
 4 MERRILL INDUSTRIAL DR
 HAMPTON, NH 03842
 (603) 926-2517

SIZE B TITLE: 0.7mm 387 NODE INTERPOSER

CHANGE NOTE PROJECTION
 MATERIAL: ---
 FINISH: ---

INTERPRET GEOMETRIC TOLERANCING PER: ANSI Y14.5M 1982
 DWG. NO. CATDT7700LG0701
 WWW.ARDENTCONCEPTS.COM SCALE: 1:1 WEIGHT: SHEET 1 OF 1