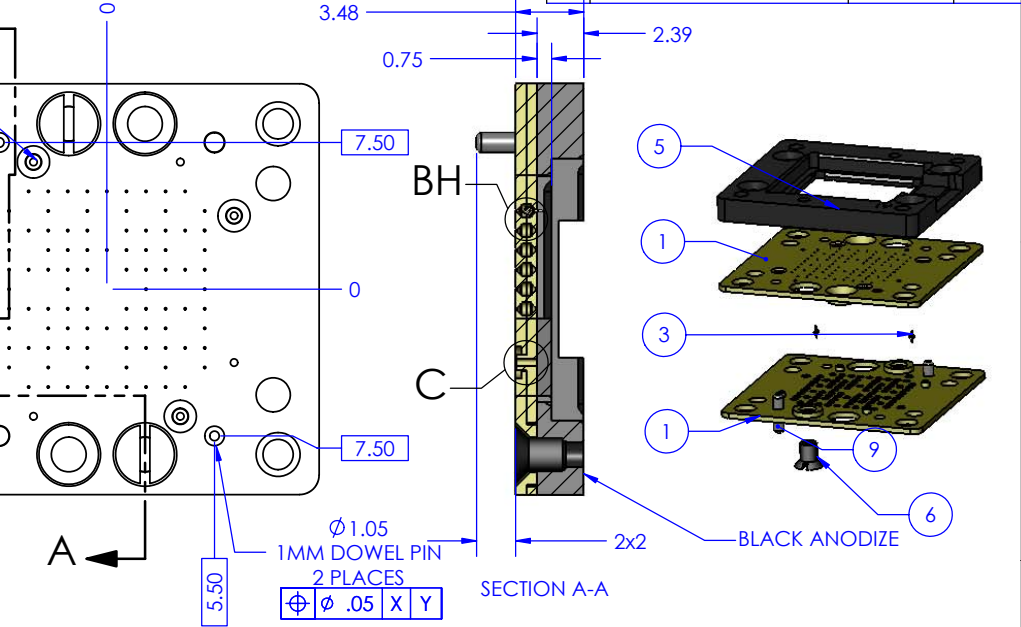
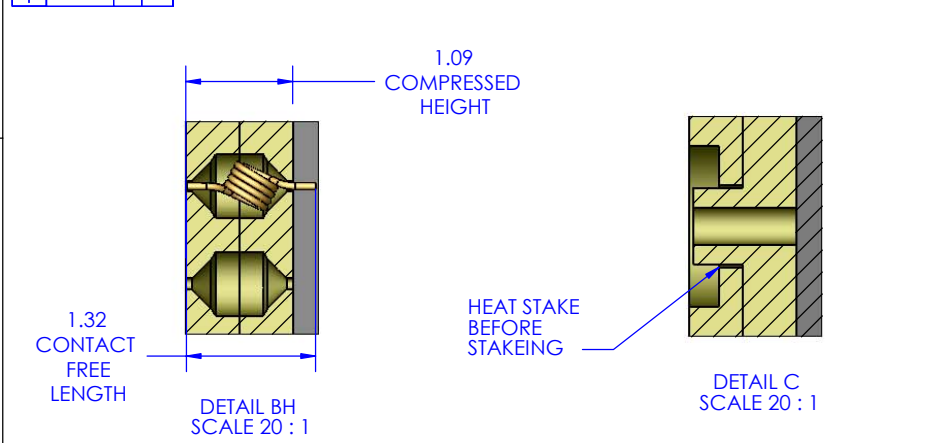
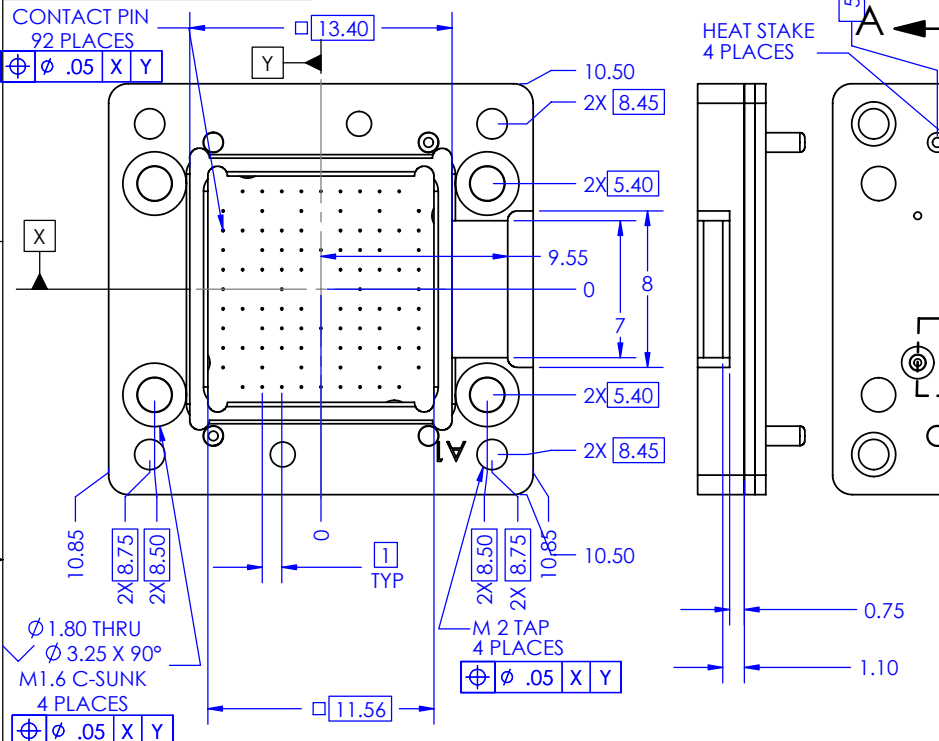


8 7 6 5 4 3 2 1

PROPRIETARY AND CONFIDENTIAL
 THE INFORMATION CONTAINED IN THIS DRAWING IS THE SOLE PROPERTY OF ARDENT CONCEPTS, INC. ANY REPRODUCTION IN PART OR AS A WHOLE WITHOUT THE WRITTEN PERMISSION OF ARDENT CONCEPTS, INC. IS PROHIBITED.

REVISIONS			
REV.	DESCRIPTION	DATE	APPROVED
A	ECN10-0537, RELEASED	2/16/10	BMS



ITEM NO.	PART NUMBER	DESCRIPTION	BARE/QTY.
1	IHFUR92LG1002	INSULATOR HALF	2
3	RC08-02	0.80mm REDUNDANT CONTACT	92
4	1032VACFTG	HOSE BARB	1
5	GPFUR92LG1002	GUIDE PLATE, BLACK ANODIZED	1
6	M16FHCS03	M1.6 FLAT HEAD X 3mm	2
7	FPFUR92LG1001	FOOTPRINT SPECIFICATION	1
8	M16FHCS06	M1.6 FLAT HEAD X 6mm	4
9	M10DP04	M1.0 DOWEL PIN X 4mm	2
10	AFFUR92LG1002	ASSEMBLY FIXTURE	1
11	ADFUR92LG1002	ASSEMBLY DAM	1
12	BCFUR92LG1002	BOTTOM COVER	1

MILLIMETERS
 UNLESS OTHERWISE SPECIFIED.
 TOLERANCES:
 ANGLES: ±3 X.X = ±.1
 X.XX = ±.05
 X.XXX = ±.02

DRAWN: BMS DATE: 2-16-10
 CHECKED: _____
 ENG APPR: _____

ARDENT CONCEPTS
 4 MERRILL INDUSTRIAL DR.
 HAMPTON, NH 03842
 (603) 926-2517

SIZE: **B** TITLE: 11X11 92 NODE SOCKET ASSEMBLY
 DWG. NO.: SKFUR92LG1002 REV: A
 INTERPRET GEOMETRIC TOLERANCING PER: ANSI Y14.5M 1982
 WWW.ARDENTCONCEPTS.COM SCALE: 4:1 WEIGHT: SHEET 1 OF 1

8 7 6 5 4 3 2 1