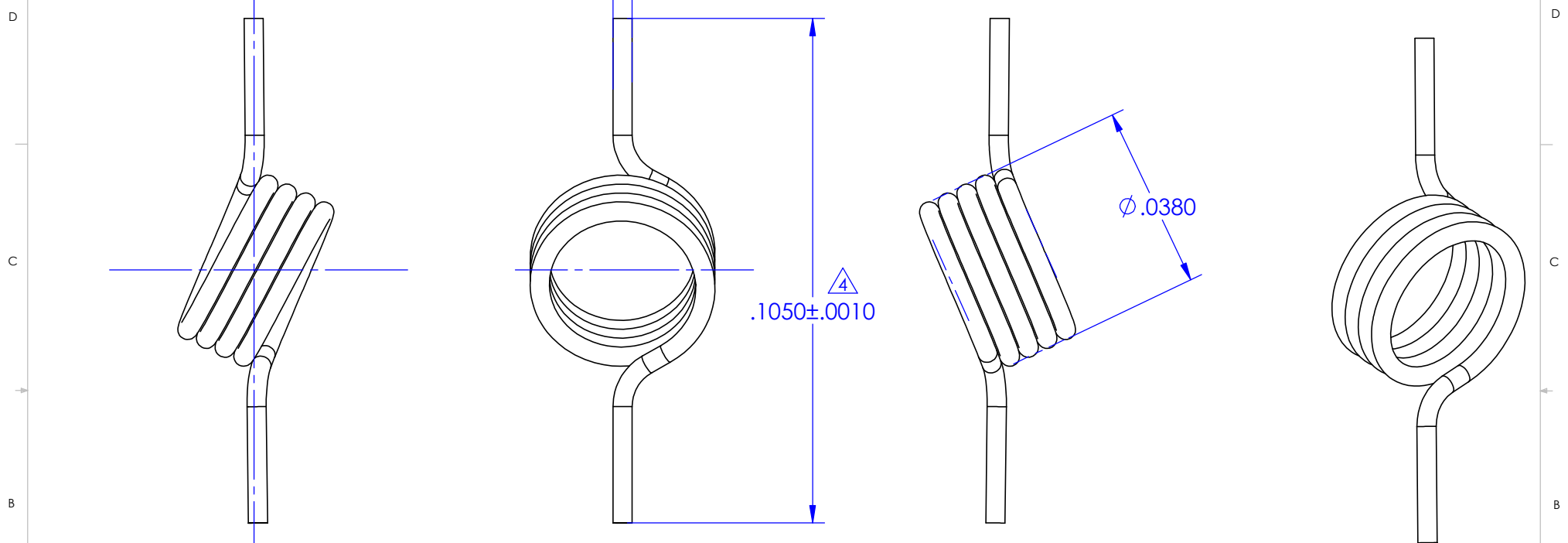


**PROPRIETARY AND CONFIDENTIAL**  
 THE INFORMATION CONTAINED IN THIS DRAWING IS THE SOLE  
 PROPERTY OF ARDENT CONCEPTS, INC. ANY REPRODUCTION  
 IN PART OR AS A WHOLE WITHOUT THE WRITTEN PERMISSION OF  
 ARDENT CONCEPTS, INC. IS PROHIBITED.

REVISIONS			
REV.	DESCRIPTION	DATE	APPROVED



- NOTES:**
- PATENT PENDING, CONFIDENTIAL
  - MATERIAL:  $\phi .004$  BeCu ALLOY 172 WIRE.
  - WIRE FORM TO GENERATE 20 GRAMS @ .015" DEFLECTION WHEN COMPRESSED AXIALLY
  - REDOMMENDED TRAVEL .015"(.38mm) FULL TRAVEL .020" (.5mm)
  - WIRE FORM FREE LENGTHS TO BE CONSISTANT WITHIN .001"
  - CONTACT RESISTANCE .050Ohm

<b>INCHES</b> UNLESS OTHERWISE SPECIFIED. ALL DIMENSIONS ARE IN INCHES TOLERANCES: ANGLES: $\pm 3$ X,XXX = $\pm .001$ X,XX = $\pm .01$ X,XXXX = $\pm .0005$		DRAWN: BMS CHECKED: ENG APPR.:	DATE: 6/15/04  <b>ARDENT CONCEPTS</b> 4 HIGH STREET, SUITE 14 HAMPTON, NH 03842 (603) 926-2517
CHANGE MATERIAL FINISH	NOTE NOTED NOTED	PROJECTION INTERPRET GEOMETRIC TOLERANCING PER: ANSI Y14.5M 1982	SIZE <b>B</b> TITLE: .27mm PITCH REDUNDANT CONTACT .090-.085" TEST HIEGHT DWG. NO. RC12-06 smd SCALE: 50:1 WEIGHT: SHEET 1 OF 1