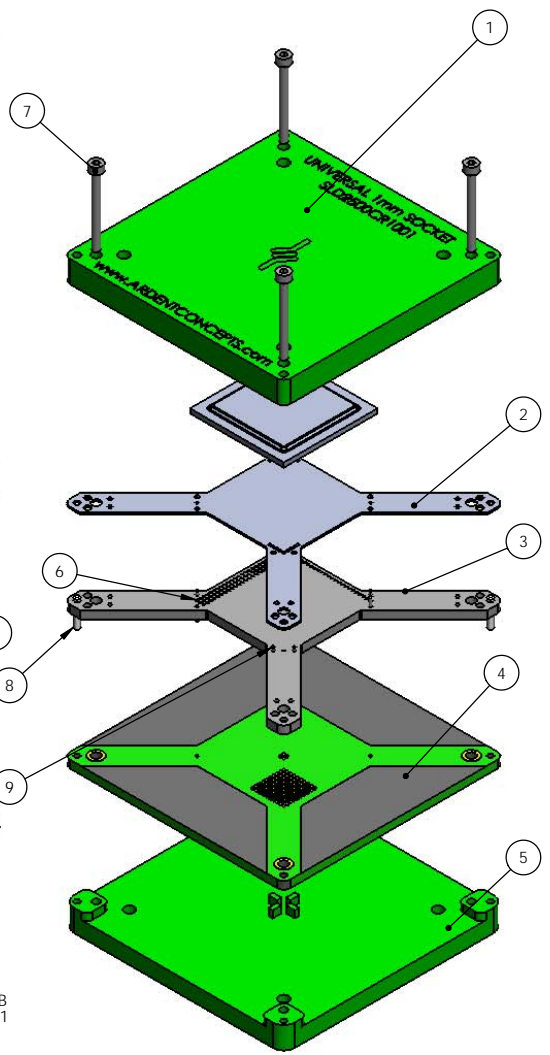
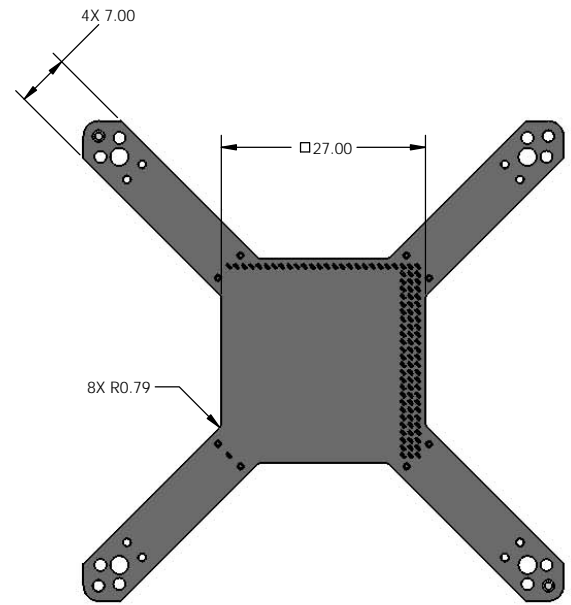
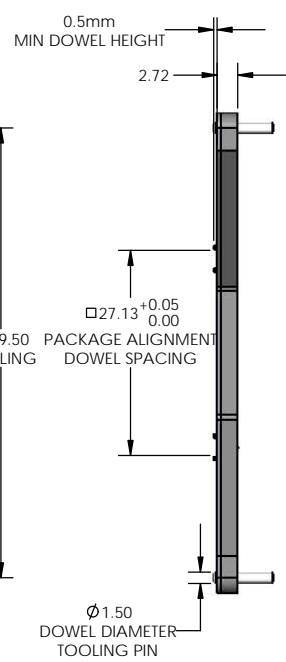
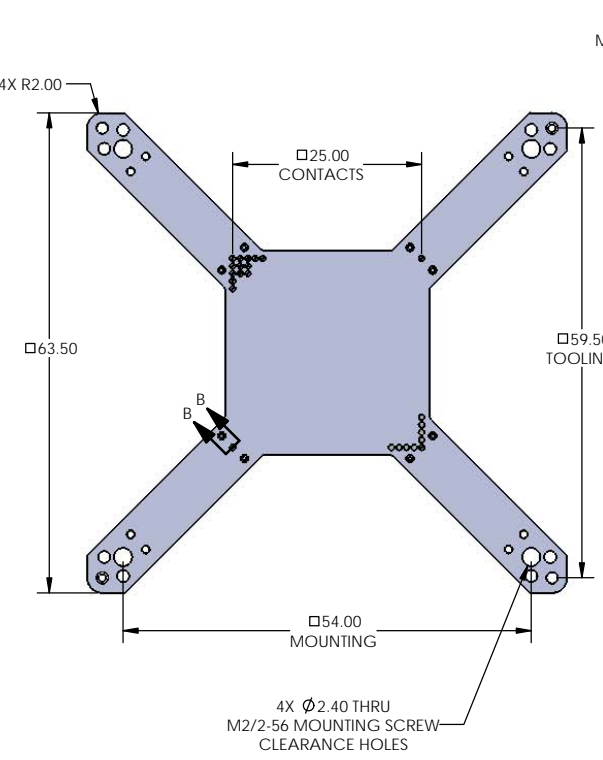


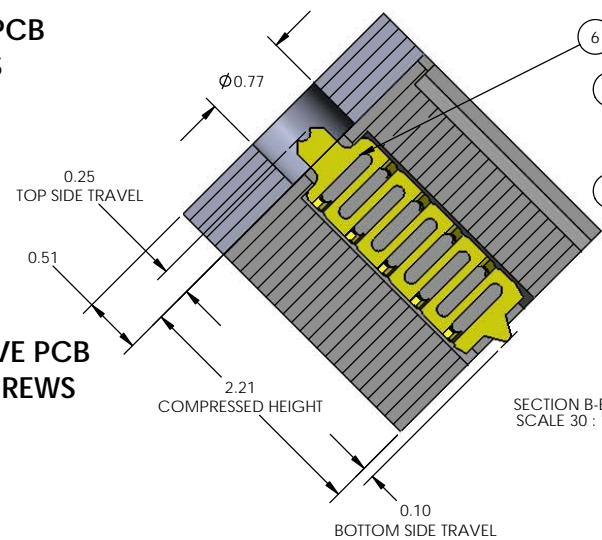
PROPRIETARY AND CONFIDENTIAL
 THE INFORMATION CONTAINED IN THIS DRAWING IS THE SOLE PROPERTY OF ARDENT CONCEPTS, INC. ANY REPRODUCTION IN PART OR AS A WHOLE WITHOUT THE WRITTEN PERMISSION OF ARDENT CONCEPTS, INC. IS PROHIBITED.

REVISIONS			
REV.	DESCRIPTION	DATE	APPROVED
1	NO DESCRIPTION	06/20/12	JH



13.15
 HEIGHT ABOVE PCB
 WITH SCREWS

11.15
 HEIGHT ABOVE PCB
 WITHOUT SCREWS



6.35
 HEIGHT
 BELOW PCB

- NOTE: 1. CONTACT FORCE- 40 GRAMS PER CONTACT
 2. CONTACT RESISTANCE- 0.050 OHMS
 3. CONTACT INSERTION LOSS- 19.07 AT -1dB
 4. CHARACTERISTIC IMPEDANCE- 61.6 OHMS
 5. USE BOARD STIFFENER WITH SOCKET
 6. CONTACT CURRENT CARRYING CAPACITY- 1.5 AMPS @ 30 DEGREES CELCIUS TEMPERATURE RISE
 7. FOOTPRINT SPEC # - FFP676CR1002

ITEM NO.	PART NUMBER	DESCRIPTION	expanded/QTY.
1	SLD2500CR1001	U1 SCREW DOWN LID	1
2	FBG676CR1002	BGA ALIGNMENT SHEET, 676	1
3	FIN676CR1002	INSULATOR, 676	1
4	FFP676CR1002	27mm, 676 Footprint Specification	REF
5	BS2500CR1001	U1 BOARD STIFFENER	1
6	CR08-01	RC Connect-R	676
7	M20SHCS20	M2 SOCKET HEAD CAP SCREW X 20mm L	4
8	M15DP08	M1.5 X 8mm DOWEL, STEEL, 9159A008	2
9	Ø31DP0125	1/32 X .125 DOWEL PIN	8

CHANGE NOTE PROJECTION

METRIC
 UNLESS OTHERWISE SPECIFIED.
 TOLERANCES:
 ANGLES: ±3 X.X - ±1
 X.XX - ±05
 X.XXX - ±025



MATERIAL: FINISH: SIZE: C TITLE: MODIFIED U1 FOR 27mm 676 BGA
 DWG. NO.: FSK676CR1002 REV: 1
 INTERPRET GEOMETRIC TOLERANCING PER: ANSI Y14.5M 1982
 WWW.ARDENTCONCEPTS.COM SCALE: 1:1 WEIGHT: SHEET 1 OF 1