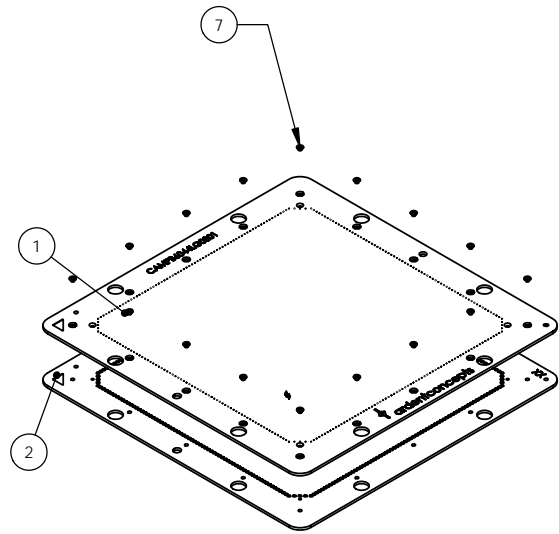


PROPRIETARY AND CONFIDENTIAL
 THE INFORMATION CONTAINED IN THIS DRAWING IS THE SOLE
 PROPERTY OF ARDENT CONCEPTS, INC. ANY REPRODUCTION
 IN PART OR AS A WHOLE WITHOUT THE WRITTEN PERMISSION OF
 ARDENT CONCEPTS, INC. IS PROHIBITED.



NOTES

1. FOR ASSEMBLY, USE 1/32" DOWELS AT CORNERS. THESE PRESS INTO BOTTOM PLATE. REMOVE THESE BEFORE SHIPPING.
2. FOR SHIPPING, PRESS M1.5 DOWELS INTO FLAT SIDE OF AF.
3. SHIP CONNECTOR SANDWICHED BETWEEN AF AND AD WITH 4 #2 SCREWS HOLDING THE STACK TOGETHER.

ITEM NO.	PART NUMBER	DESCRIPTION	shipping/QTY.
1	TPMPB6044LG0801	TOP PLATE	1
2	BPMPB6044LG0801	BOTTOM PLATE	1
3	AFMPB6044LG0801	ASSEMBLY FIXTURE	1
4	ADMPB6044LG0801	ASSEMBLY DAM	1
5	RC08-02	0.80mm RC SPRING PROBE	6044
6	256PHCS0375	#2-56 PAN HEAD SCREW x 3/8" L	4
7	ACHD-0003	RIVET	16
8	M15DP12	M1.5 X 12mm DOWEL, STAINLESS	2
9	031DP0188	1/32" DOWEL PIN X 3/16"L, 98381A364	2

CHANGE NOTE PROJECTION	INCH <small>UNLESS OTHERWISE SPECIFIED.</small> <small>TOLERANCES:</small> <small>ANGLES: ± 3</small> <small>X.XX = ±.005</small> <small>X.XXX = ±.002</small> <small>X.XXXX = ±.001</small>	 ARDENT CONCEPTS <small>Interpret Geometric Tolerancing By: J. Jones</small> 130 LEDGE ROAD, UNIT 2 SEABROOK, NH 03874 (603) 474-1760	
	MATERIAL: VESPEL SP1		TITLE: B 6044 NODE .80mm PICH CONNECTOR
FINISH: ...	INTERPRET GEOMETRIC TOLERANCING PER: ANSI Y14.5M 1982	DWG. NO. CAMPB6044LG0801	REV A
WWW.ARDENTCONCEPTS.COM		SCALE: 1:1	SHEET 2 OF 2