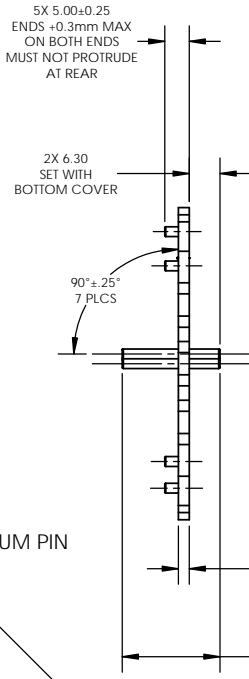
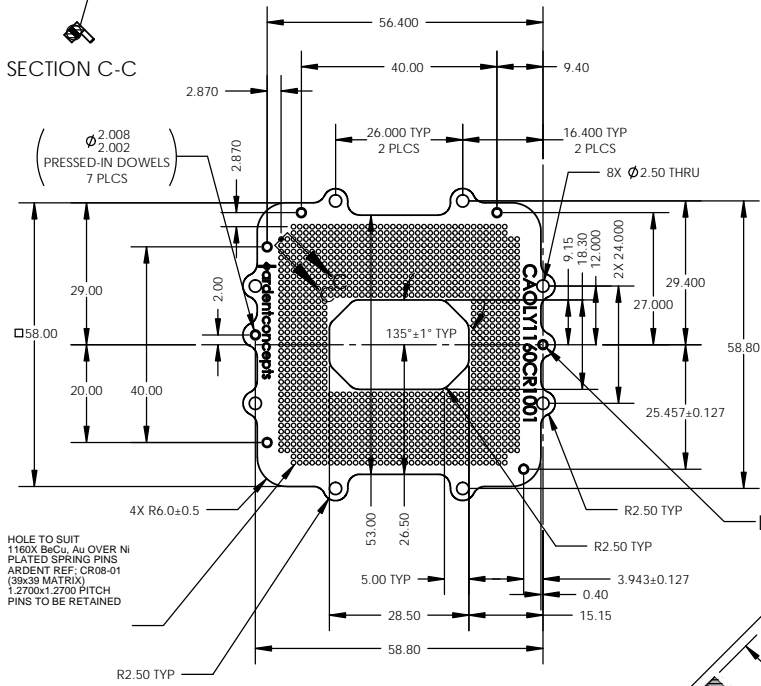


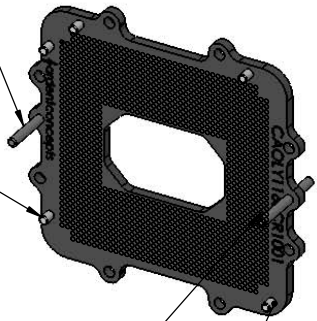
PROPRIETARY AND CONFIDENTIAL
 THE INFORMATION CONTAINED IN THIS DRAWING IS THE SOLE PROPERTY OF ARDENT CONCEPTS, INC.. ANY REPRODUCTION IN PART OR AS A WHOLE WITHOUT THE WRITTEN PERMISSION OF ARDENT CONCEPTS, INC. IS PROHIBITED.

REVISIONS			
REV.	DESCRIPTION	DATE	APPROVED
B	ECN13-1168, NEW CAV	05/08/13	SD
C	RELEASED, ECN14-1351	01/21/14	AG



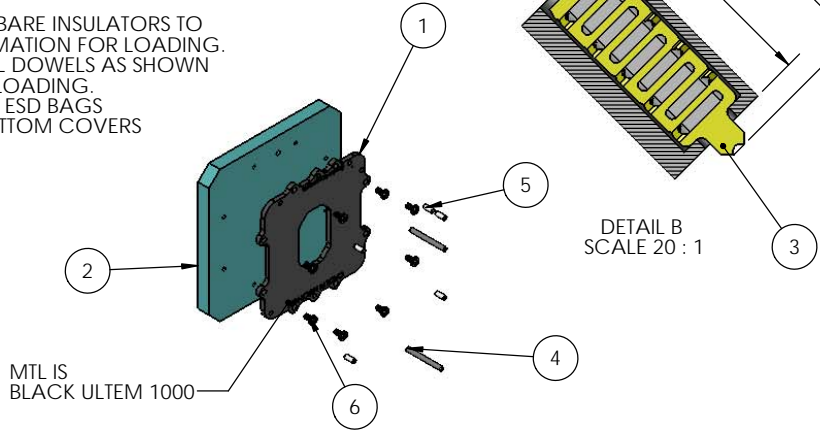
Ø2 +.008/+.002 X 20 LG
 ST STL
 DOWEL PIN CHAMFERED
 +0.3mm MAX BOTH ENDS
 PRESSED IN PLACE, 2 POSNS

Ø2 +.008/+.002 X 5 LG
 ST STL
 DOWEL PIN CHAMFERED
 +0.3mm MAX BOTH ENDS
 PRESSED IN PLACE, 5 POSNS
 MUST NOT PROTRUDE AT REAR



ASSEMBLY NOTES

1. SEND BARE INSULATORS TO AUTOMATION FOR LOADING.
2. INSTALL DOWELS AS SHOWN AFTER LOADING.
3. SHIP IN ESD BAGS ON BOTTOM COVERS



ITEM NO.	PART NUMBER	DESCRIPTION	SHIPPING/QTY.
1	INOLY1160CR1001	INSULATOR	1
2	BCOLY1160CR1001	BOTTOM COVER	1
3	CR08-01	RC Connect-R	1
4	M20DP20	M2 DOWEL PIN X 20mm, 91585A022	2
5	M20DP05	M2 DOWEL PIN X 5mm, 91585A915	5
6	M20PHCS04	M2 Pan Head x 4mmL, 90116A008	8

CHANGE	NOTE	PROJECTION	METRIC UNLESS OTHERWISE SPECIFIED. TOLERANCES: ANGLES: ±3 X.X ±.1 X.XX ±.05 X.XXX ±.025	 130 LEDGE ROAD, UNIT 2 SEABROOK, NH 03874 (603) 474-1760
MATERIAL: ---		SIZE B	TITLE: CONNECTOR ASSEMBLY	
FINISH: ---		INTERPRET GEOMETRIC TOLERANCING PER: ANSI Y14.5M 1982	DWG. NO. CAOLY1160CR1001	REV C
WWW.ARDENTCONCEPTS.COM			SCALE: 1:1	SHEET 1 OF 1