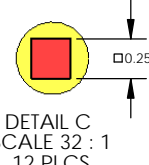
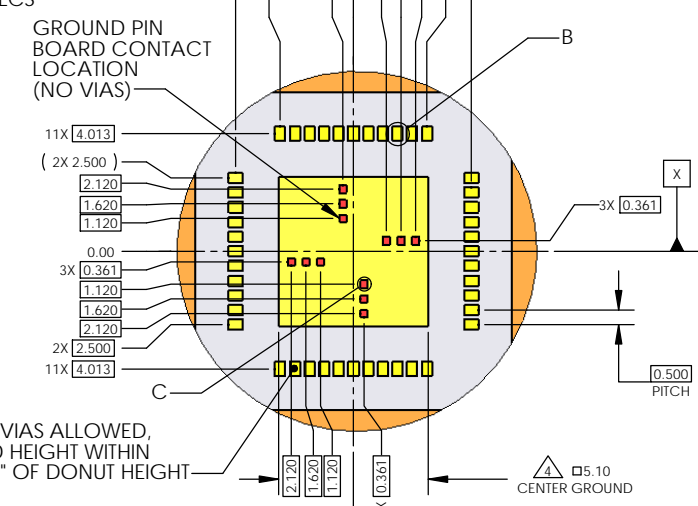
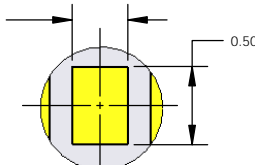
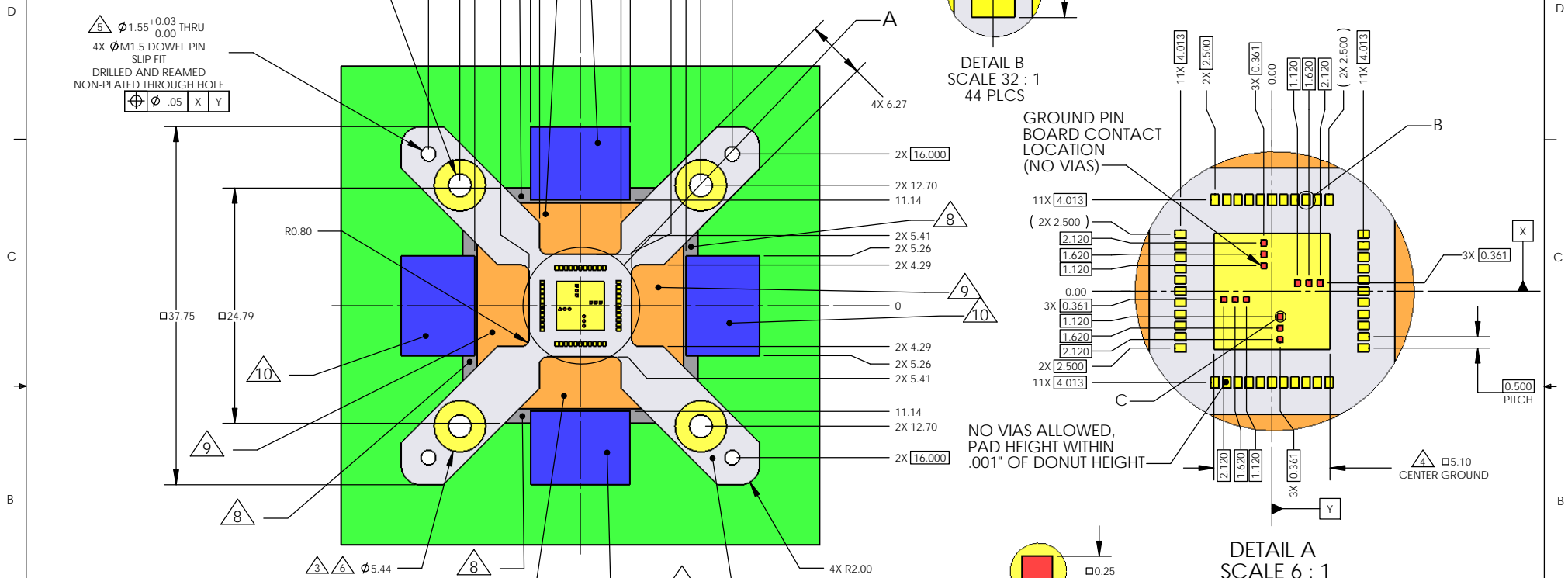


PROPRIETARY AND CONFIDENTIAL
 THE INFORMATION CONTAINED IN THIS DRAWING IS THE SOLE PROPERTY OF ARDENT CONCEPTS, INC. ANY REPRODUCTION IN PART OR AS A WHOLE WITHOUT THE WRITTEN PERMISSION OF ARDENT CONCEPTS, INC. IS PROHIBITED.

REVISIONS			
REV.	DESCRIPTION	DATE	APPROVED
A	RELEASED; ECN11-0816	8/2/11	DJI



- NOTES:
- THIS DRAWING SHOWS A PATTERN FOR A 7x7, 0.50mm PITCH DEVICE WITH 44 PERIMETER LEADS, A GROUND SLUG, AND 12 GROUND LEADS.
 - CENTER OF DEVICE PATTERN TO BE COINCIDENT WITH CENTER OF PAD PATTERN ON PERFORMANCE BOARD
 - PLATED DONUTS AROUND MOUNTING HOLES TO BE SAME HEIGHT AS PADS ON PERFORMANCE BOARD
 - PAD TO PAD TO MOUNTING DONUT COPLANARITY TO BE WITHIN .001".
 - TOOLING HOLES TO BE NON-PLATED THRU HOLES DRILLED AND REAMED TO SIZE
 - RECOMMENDED PLATING FOR PADS .000200" NICKEL UNDER .000050" GOLD MINIMUM.
 - THERE SHOULD BE NO SOLDERMASK UNDER THE SOCKET AT ALL.
 - 0.116" DECOUPLING CLEARANCE
 - 0.070" CLEARANCE TIL GUIDE PLATE
 - 0.053" LID LATCH CLEARANCE

METRIC UNLESS OTHERWISE SPECIFIED. TOLERANCES: ANGLES: ±3 X.X ± 1 X.XX ± .05 X.XXX ± .025		DRAWN: DJI DATE: 8/2/11 CHECKED: ENG APPR:	 4 MERRILL INDUSTRIAL DR, SUITE 102 HAMPTON, NH 03842 (603) 926-2517
CHANGE NOTE PROJECTION MATERIAL --- FINISH ---		SIZE: B TITLE: 7X7, 44LD, 0.50mm FOOTPRINT SPECIFICATION DWG. NO. FFP7X744SN0501 REV: A	
INTERPRET GEOMETRIC TOLERANCING PER: ANSI Y14.5M 1982 WWW.ARDENTCONCEPTS.COM SCALE: 5:2 WEIGHT: SHEET 1 OF 1			