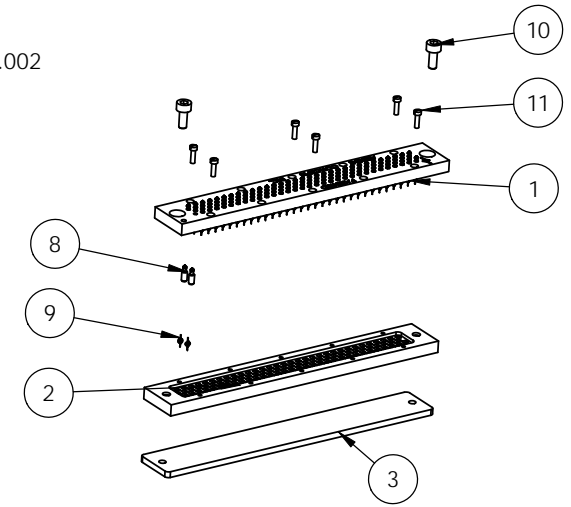
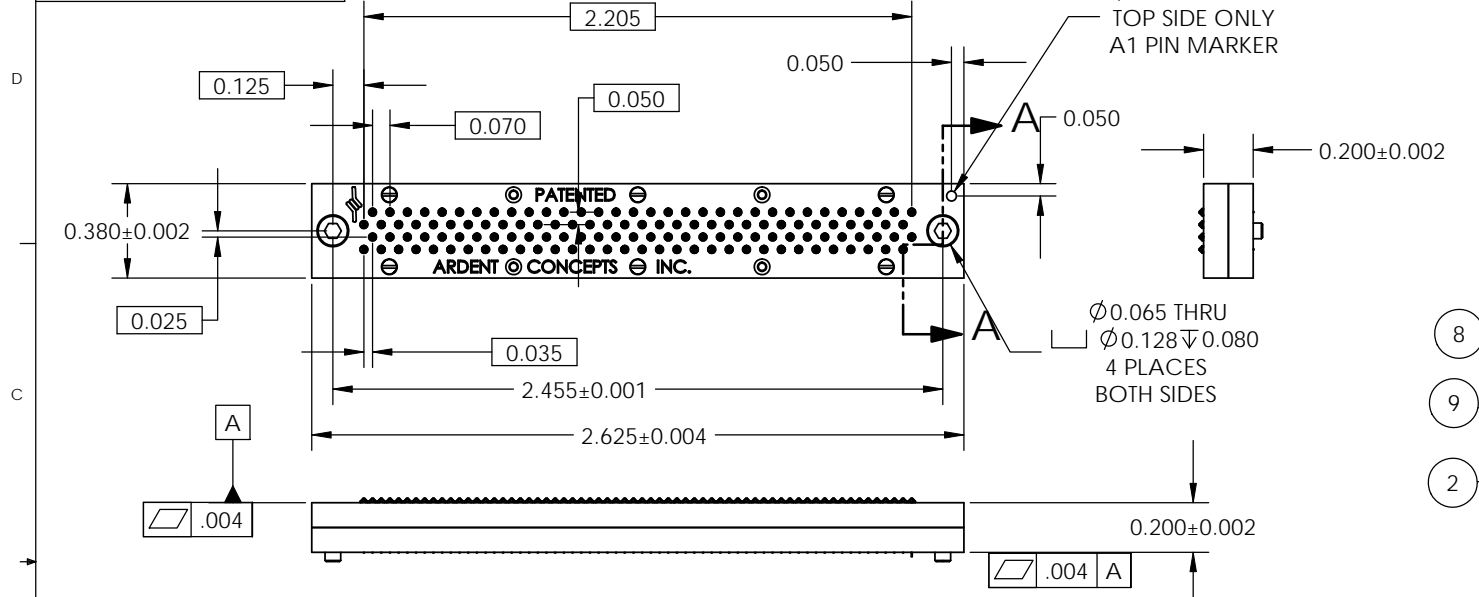
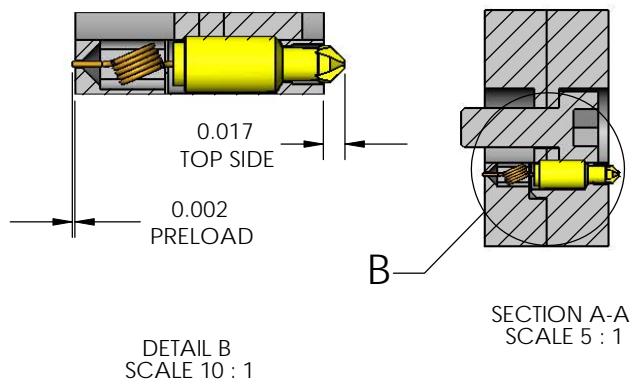


PROPRIETARY AND CONFIDENTIAL
 THE INFORMATION CONTAINED IN THIS DRAWING IS THE SOLE
 PROPERTY OF ARDENT CONCEPTS, INC. ANY REPRODUCTION
 IN PART OR AS A WHOLE WITHOUT THE WRITTEN PERMISSION OF
 ARDENT CONCEPTS, INC. IS PROHIBITED.

REVISIONS			
REV.	DESCRIPTION	DATE	APPROVED
C	ECN08-0253 RELEASED CE WAS CE12LG02	1/27/08	BMS
D	ECN10-0630 SECOND RELEASE	09/14/10	SD



ITEM NO.	PART NUMBER	DESCRIPTION	with bottom cover/ QTY.
1	TPITC128LG1502	TOP PLATE	1
2	BPITC128LG1502	BOTTOM PLATE	1
3	BCITC128LG1502	BOTTOM COVER	1
4	AFITC128LG1502	ASSEMBLY FIXTURE	1
5	ADITC128LG1502	ASSEMBLY DAM	1
6	CEAFITC128LG1502	CE ASSEMBLY FIXTURE	1
7	CEFCITC128LG1502	CE ASSEMBLY FIXTURE CAP	1
8	CE12LG03	1.27mm LGA CONTACT ELEMENT	128
9	RC12-06	1.27 PITCH RC	128
10	M16SHCS04	M1.6 SOCKET CAP X 5mm	2
11	0001200FHS125	000-120 OVAL FILLISTER HEAD X .125" (JI Morris p/n P000120CE125)	6



INCHES
UNLESS OTHERWISE SPECIFIED.

TOLERANCES:
 X.XX = ±.005
 X.XXX = ±.002
 X.XXXX = ±.001

ANGLES: ± 3

FINISH: AS MOLDED

DRAWN: BMS 8-3-07
 CHECKED: []
 ENG APPR: []

ARDENT CONCEPTS
 4 MERRILL INDUSTRIAL DR, SUITE 102
 HAMPTON, NH 03842
 (603) 926-2517

SIZE: **B** TITLE: 128 NODE CONNECTOR ASSEMBLY

CHANGE: [] NOTE: [] PROJECTION: []
 MATERIAL: Tincona Vectra E130i

INTERPRET GEOMETRIC TOLERANCING PER: ANSI Y14.5M 1982
 DWG. NO.: CAITC128LG1502 REV: **D**

WWW.ARDENTCONCEPTS.COM SCALE: 2:1 WEIGHT: SHEET 1 OF 1