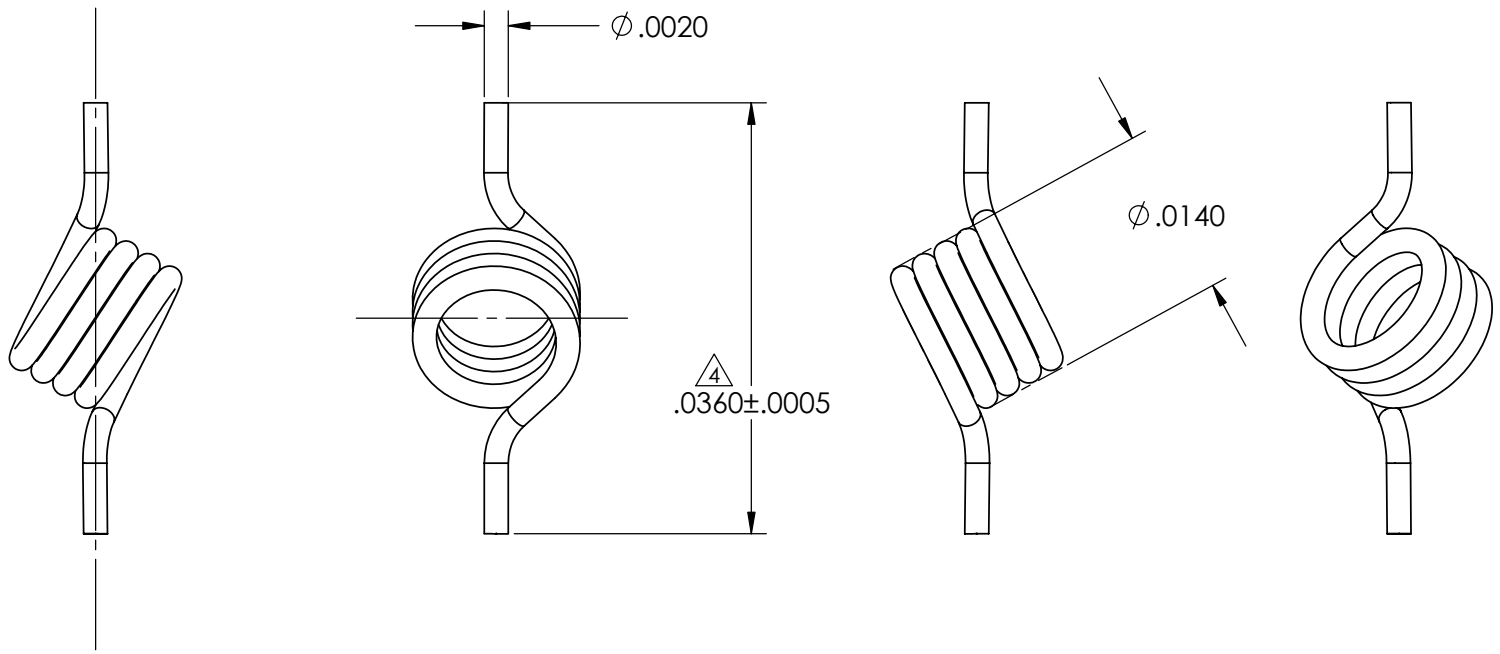


PROPRIETARY AND CONFIDENTIAL
 THE INFORMATION CONTAINED IN THIS DRAWING IS THE SOLE PROPERTY OF ARDENT CONCEPTS, INC. ANY REPRODUCTION IN PART OR AS A WHOLE WITHOUT THE WRITTEN PERMISSION OF ARDENT CONCEPTS, INC. IS PROHIBITED.

REVISIONS			
REV.	DESCRIPTION	DATE	APPROVED
NR	SALES MODEL DRAWING	6/30/04	GV



NOTES:

- PATENTED, CONFIDENTIAL
- MATERIAL: $\phi .0020$ BeCu ALLOY 172 WIRE
- WIRE FORM TO GENERATE 20 GRAMS @ $.004''$ DEFLECTION WHEN COMPRESSED AXIALLY
- WIRE FORM FREE LENGTHS TO BE CONSISTANT WITHIN $.001''$

INCHES UNLESS OTHERWISE SPECIFIED. ALL DIMENSIONS ARE IN INCHES TOLERANCES: ANGLES: ± 3 X.XXX = $\pm .002$ X.XX = $\pm .005$ X.XXXX = $\pm .001$	DRAWN: BMS CHECKED: ENG APPR.:	DATE: 6/30/04	ARDENT CONCEPTS 4 MERRILL INDUSTRIAL DR. HAMPTON, NH 03842 (603) 926-2517	
	SIZE: B	TITLE: .5mm PITCH REDUNDANT CONTACT .032" TEST HIEGHT		
CHANGE: NOTE: PROJECTION:	MATERIAL: NOTED FINISH: NOTED	INTERPRET GEOMETRIC TOLERANCING PER: ANSI Y14.5M 1982 WWW.ARDENTCONCEPTS.COM	DWG. NO.: RC05-01 smd SCALE: 100:1 WEIGHT:	REV: NR