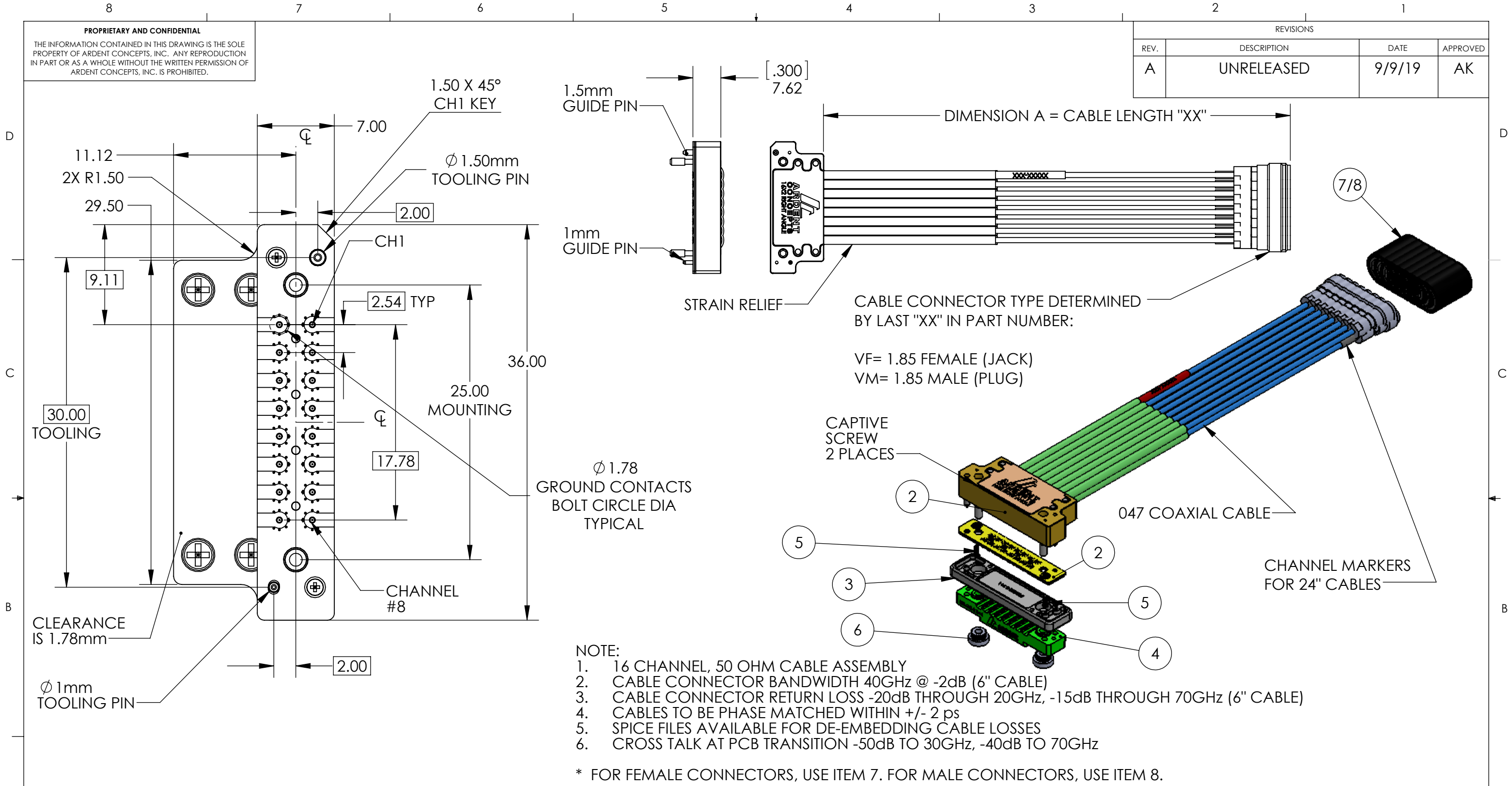


PROPRIETARY AND CONFIDENTIAL
 THE INFORMATION CONTAINED IN THIS DRAWING IS THE SOLE PROPERTY OF ARDENT CONCEPTS, INC. ANY REPRODUCTION IN PART OR AS A WHOLE WITHOUT THE WRITTEN PERMISSION OF ARDENT CONCEPTS, INC. IS PROHIBITED.

REVISIONS			
REV.	DESCRIPTION	DATE	APPROVED
A	UNRELEASED	9/9/19	AK



- NOTE:
- 16 CHANNEL, 50 OHM CABLE ASSEMBLY
 - CABLE CONNECTOR BANDWIDTH 40GHz @ -2dB (6" CABLE)
 - CABLE CONNECTOR RETURN LOSS -20dB THROUGH 20GHz, -15dB THROUGH 70GHz (6" CABLE)
 - CABLES TO BE PHASE MATCHED WITHIN +/- 2 ps
 - SPICE FILES AVAILABLE FOR DE-EMBEDDING CABLE LOSSES
 - CROSS TALK AT PCB TRANSITION -50dB TO 30GHz, -40dB TO 70GHz

* FOR FEMALE CONNECTORS, USE ITEM 7. FOR MALE CONNECTORS, USE ITEM 8.

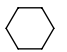

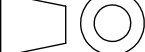

ITEM NO.	PART NUMBER	DESCRIPTION	Default/QTY.
1	BA70-RA-16X2-2.54-XXXX	BLOCK ASSEMBLY	1
2	IA16X2-2.54-TSBM-1	INTERFACE ASSEMBLY	1
3	SC16X2-2.54-1	MOLDED SHIPPING COVER	1
4	SB16X2-2.54-1	STIFFENER BLOCK, PRESS IN	1
5	M10PHCS03	M1 PAN HEAD, 3mm L	2
6	M20PEMNUT	M2 PEM NUT, KF2-M2-ET	2
* 7	PC-047F-01	PROTECTIVE CAP, FEMALE 047 CABLES, Caplug PN VC-250-8	16
* 8	PC-047M-01	PROTECTIVE CAP, MALE 047 CABLES, Caplug PN VC-312-8	16

	METRIC UNLESS OTHERWISE SPECIFIED. TOLERANCES: ANGLES: ± 3° X.X = ±.1 X.XX = ±.05 X.XXX = ±.025	 4 MERRILL INDUSTRIAL DRIVE, SUITE 102 HAMPTON, NH 03842 (603) 474-1760
MATERIAL: ---	SIZE B	DWG. NO. TR70-RA-16X2-2.54-XXXX
FINISH: ---	INTERPRET GEOMETRIC TOLERANCING PER: ANSI Y14.5M 1982	REV B
WWW.ARDENTCONCEPTS.COM		SCALE: 2:1
		SHEET 1 OF 2

PROPRIETARY AND CONFIDENTIAL
 THE INFORMATION CONTAINED IN THIS DRAWING IS THE SOLE PROPERTY OF ARDENT CONCEPTS, INC. ANY REPRODUCTION IN PART OR AS A WHOLE WITHOUT THE WRITTEN PERMISSION OF ARDENT CONCEPTS, INC. IS PROHIBITED.

TERMINATE-R ASSEMBLY PART NUMBER	BLOCK ASSEMBLY PART NUMBER	CABLE LENGTH ("A") DIMENSION*	CABLE CONNECTOR TYPE
TR70-RA-16X2-2.54-03VF	BA70-RA-16X2-2.54-03VF	3"	1.85mm V FEMALE (JACK)
TR70-RA-16X2-2.54-03VM	BA70-RA-16X2-2.54-03VM	3"	1.85mm V MALE (PLUG)
TR70-RA-16X2-2.54-06VF	BA70-RA-16X2-2.54-06VF	6"	1.85mm V FEMALE (JACK)
TR70-RA-16X2-2.54-06VM	BA70-RA-16X2-2.54-06VM	6"	1.85mm V MALE (PLUG)
TR70-RA-16X2-2.54-12VF	BA70-RA-16X2-2.54-12VF	12"	1.85mm V FEMALE (JACK)
TR70-RA-16X2-2.54-12VM	BA70-RA-16X2-2.54-12VM	12"	1.85mm V MALE (PLUG)
TR70-RA-16X2-2.54-24VF	BA70-RA-16X2-2.54-24VF	24"	1.85mm V FEMALE (JACK)
TR70-RA-16X2-2.54-24VM	BA70-RA-16X2-2.54-24VM	24"	1.85mm V MALE (PLUG)

* LENGTH IS FOR REFERENCE AND MAY VARY.

 CHANGE	 NOTE	 PROJECTION	METRIC UNLESS OTHERWISE SPECIFIED. TOLERANCES: ANGLES: ± 3° X.X = ±.1 X.XX = ±.05 X.XXX = ±.025	 ARDENT CONCEPTS 4 MERRILL INDUSTRIAL DRIVE, SUITE 102 HAMPTON, NH 03842 (603) 474-1760
MATERIAL: ---	SIZE B	TITLE: 8 CHANNEL, 2.54mm PITCH, RIGHT ANGLE TR, 70 GHz		
FINISH: ---	INTERPRET GEOMETRIC TOLERANCING PER: ANSI Y14.5M 1982	DWG. NO. TR70-RA-16X2-2.54-XXXX		REV F
WWW.ARDENTCONCEPTS.COM		SCALE: 2:1		SHEET 2 OF 2