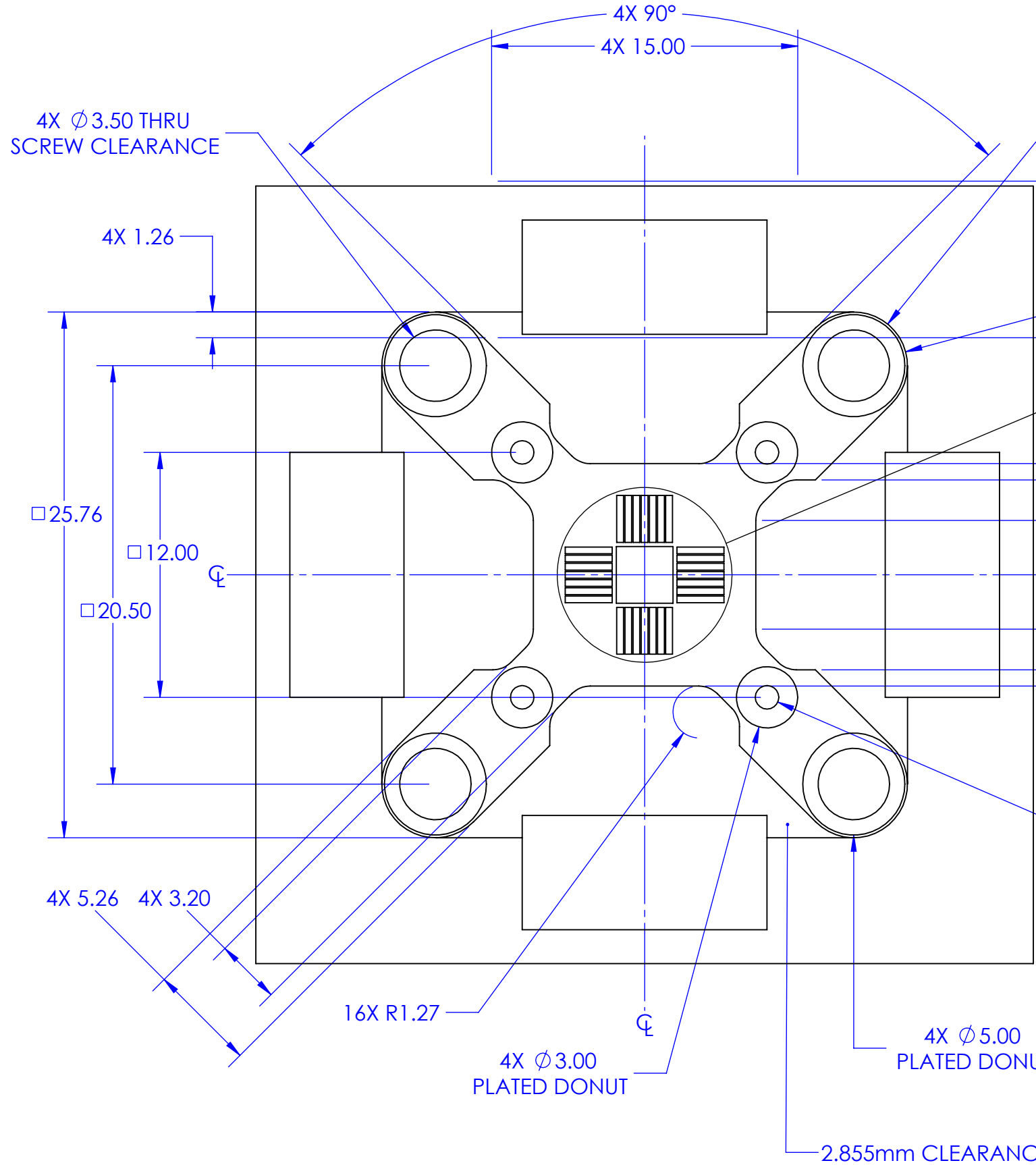


PROPRIETARY AND CONFIDENTIAL
 THE INFORMATION CONTAINED IN THIS DRAWING IS THE SOLE PROPERTY OF ARDENT CONCEPTS, INC. ANY REPRODUCTION IN PART OR AS A WHOLE WITHOUT THE WRITTEN PERMISSION OF ARDENT CONCEPTS, INC. IS PROHIBITED.

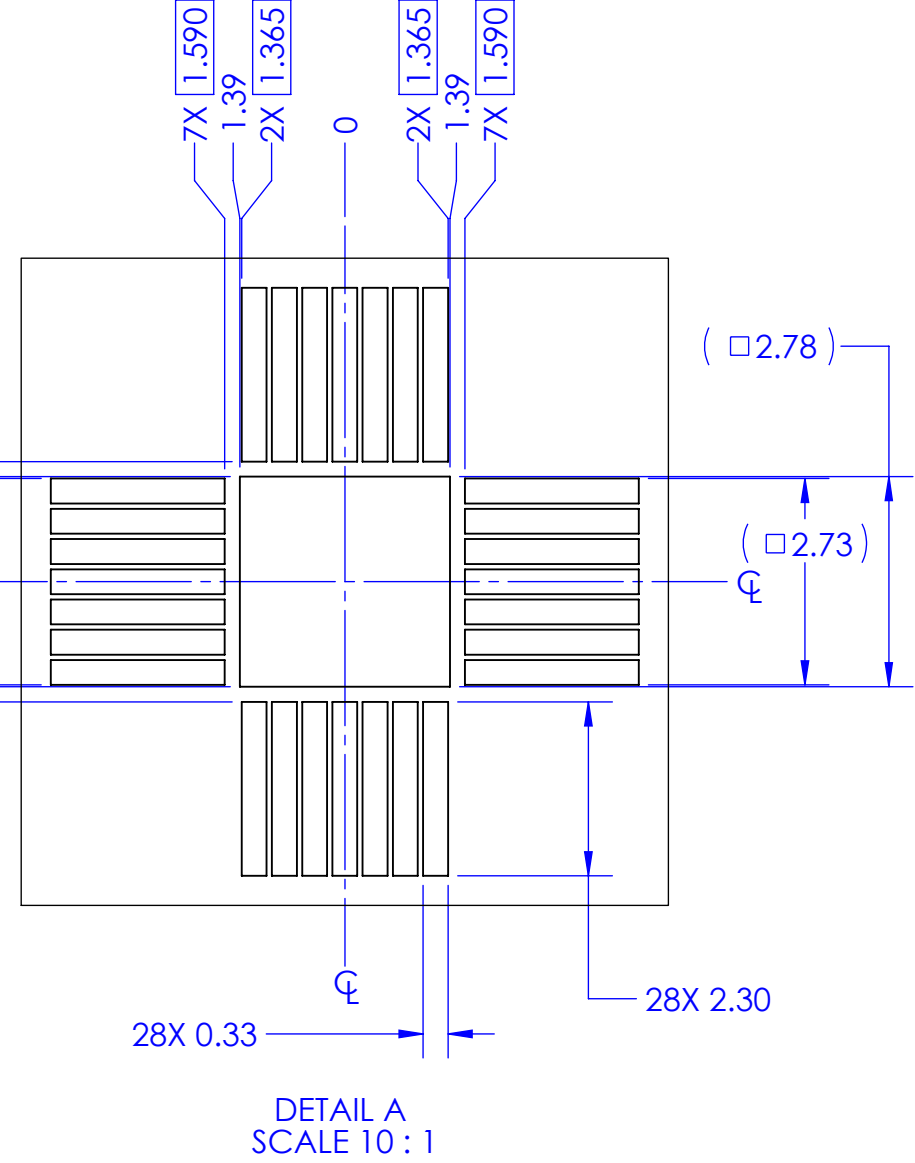
REVISIONS			
REV.	DESCRIPTION	DATE	APPROVED
A	RELEASED; ECN11-0688	1/03/2011	DJI

D
C
B
A

D
C
B
A



4X $\phi 1.15^{+0.03}_{0.00}$ THRU
 $\phi 1$ mm DOWEL PIN
 SLIP FIT



DETAIL A
SCALE 10 : 1

METRIC
 UNLESS OTHERWISE SPECIFIED.
 TOLERANCES:
 ANGLES: ± 3 X.X = $\pm .1$
 X.XX = $\pm .05$
 X.XXX = $\pm .02$

DRAWN	SD	DATE	06/15/10
CHECKED			
ENG APPR.			

ARDENT CONCEPTS
 4 MERRILL INDUSTRIAL DR., SUITE 102
 HAMPTON, NH 03842
 (603) 926-2517

CHANGE	NOTE	PROJECTION
MATERIAL		
FINISH		

SIZE	B	TITLE:	FOOTPRINT SPECIFICATION, 4mm, 28ld, .40mm PITCH
INTERPRET GEOMETRIC TOLERANCING PER:	ANSI Y14.5M 1982	DWG. NO.	FPSEM28SN0401
WWW.ARDENTCONCEPTS.COM	SCALE: 4:1	WEIGHT:	
		REV	A
			SHEET 1 OF 1

8 7 6 5 4 3 2 1