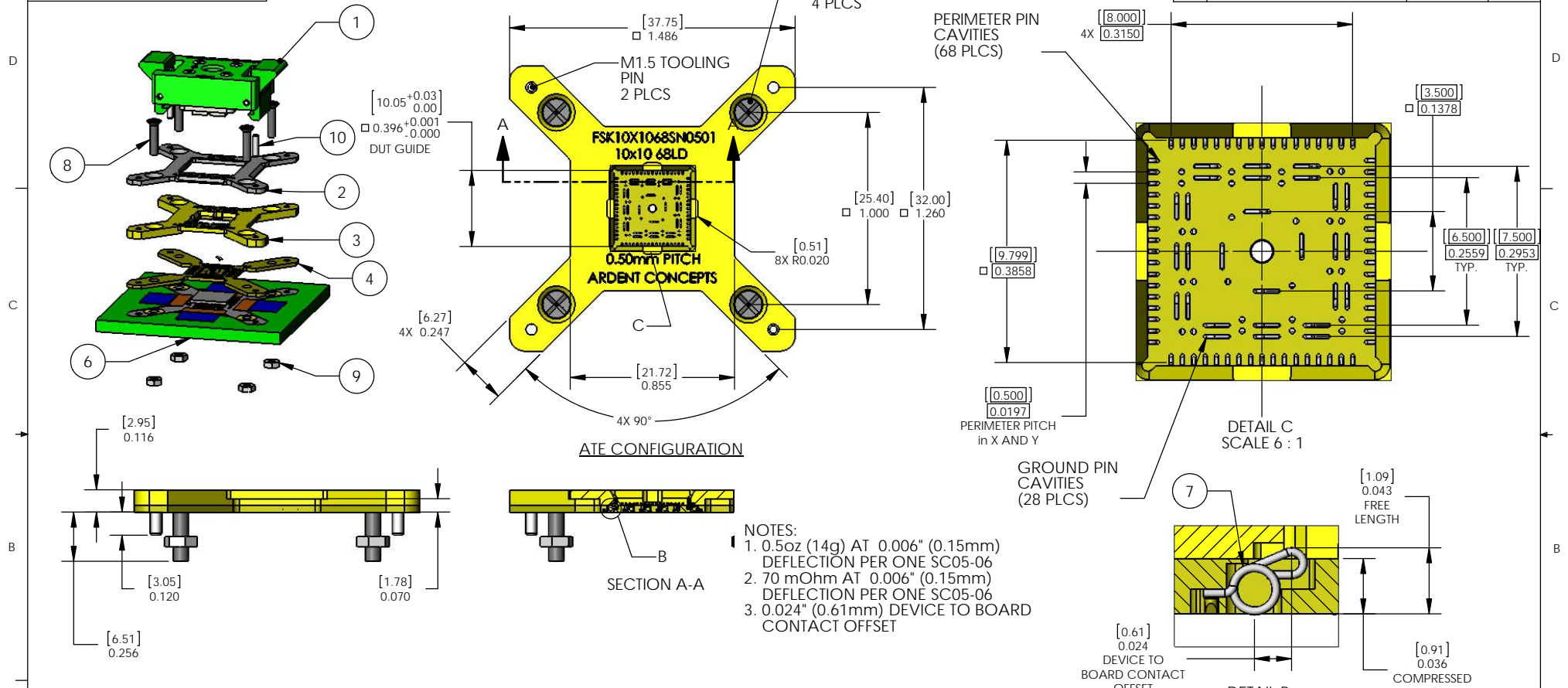


PROPRIETARY AND CONFIDENTIAL
 THE INFORMATION CONTAINED IN THIS DRAWING IS THE SOLE PROPERTY OF ARDENT CONCEPTS, INC.. ANY REPRODUCTION IN PART OR AS A WHOLE WITHOUT THE WRITTEN PERMISSION OF ARDENT CONCEPTS, INC. IS PROHIBITED.

REVISIONS			
REV.	DESCRIPTION	DATE	APPROVED
A	RELEASED; ECN11-0818	8/4/11	DJI



- NOTES:
 1. 0.5oz (14g) AT 0.006" (0.15mm) DEFLECTION PER ONE SC05-06
 2. 70 mOhm AT 0.006" (0.15mm) DEFLECTION PER ONE SC05-06
 3. 0.024" (0.61mm) DEVICE TO BOARD CONTACT OFFSET

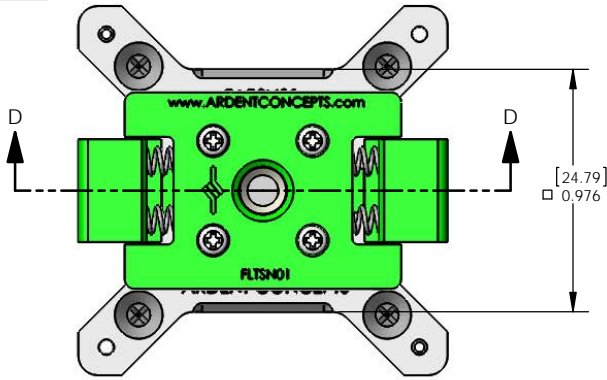
ITEM NO.	PART NUMBER	DESCRIPTION	Material	Default/QTY.
1	FLD10X10SN01	HAND TEST LID	REF	REF
2	FAPSN01	ADAPTER PLATE	303 STAINLESS STEEL	1
3	FGP10X1068SN0501	GUIDE PLATE	TORLON 4203	1
4	FIN10X1068SN0501	INSULATOR	TORLON 4203	1
5	FSCSN01	SHIPPING COVER	ESD LEXAN	1
6	FFP10X1068SN0501	FOOTPRINT SPECIFICATION	REF	REF
7	SC05-06	.5mm .005" RC Scrub-R	SEMI PRECIOUS ALLOY	96
8	M20FHCS08	M2 FLAT HEAD X 8mm	18-8 STAINLESS STEEL	4
9	M20NUT	M2 NUT	18-8 STAINLESS STEEL	4
10	M15DP06	M1.5 X 6mm DOWEL PIN, 9159A005	HARDENED STEEL	2

INCH UNLESS OTHERWISE SPECIFIED. TOLERANCES: ANGLES: ± 3 XXX = ± .005 X.XXX = ± .002 X.XXXX = ± .001	DRAWN: DJI DATE: 8/2/11 CHECKED: ENG APPR:	 ARDENT CONCEPTS <small>Manufacturing and Test Equipment Division</small> 4 MERRILL INDUSTRIAL DR, SUITE 102 HAMPTON, NH 03842 (603) 926-2517
	SIZE: B TITLE: 10X10, 68LD, 0.50mm SOCKET ASSEMBLY INTERPRET GEOMETRIC TOLERANCING PER: ANSI Y14.5M 1982 DWG. NO. FSK10X1068SN0501 REV A	

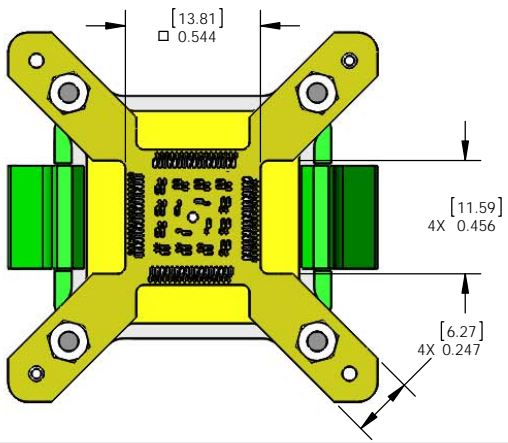
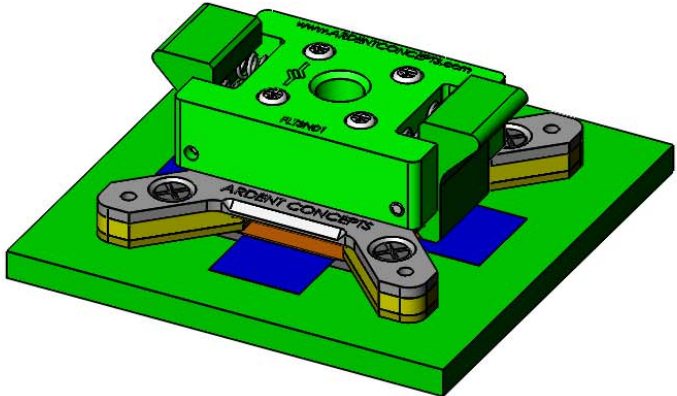
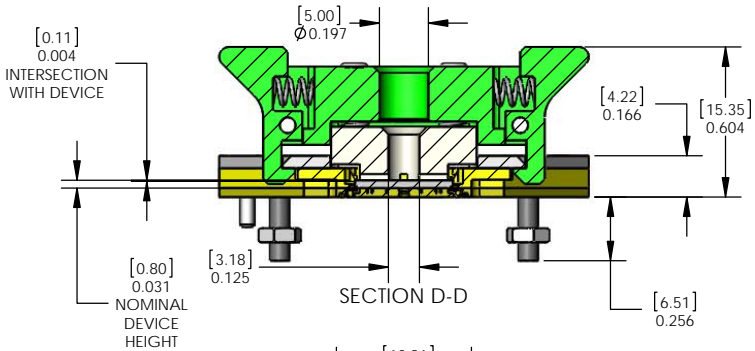
8 7 6 5 4 3 2 1

PROPRIETARY AND CONFIDENTIAL
 THE INFORMATION CONTAINED IN THIS DRAWING IS THE SOLE
 PROPERTY OF ARDENT CONCEPTS, INC. ANY REPRODUCTION
 IN PART OR AS A WHOLE WITHOUT THE WRITTEN PERMISSION OF
 ARDENT CONCEPTS, INC. IS PROHIBITED.

REVISIONS			
REV.	DESCRIPTION	DATE	APPROVED
A	RELEASED; ECN11-0818	8/4/11	DJI



BENCH TEST CONFIGURATION



INCH UNLESS OTHERWISE SPECIFIED.		DRAWN: DJI	DATE: 8/2/11	 4 MERRILL INDUSTRIAL DR, SUITE 102 HAMPTON, NH 03842 (603) 926-2517
TOLERANCES: ANGLES: ± 3		CHECKED:	ENG APPR:	
XXX = ± .005 X.XXX = ± .002 X.XXXX = ± .001		SIZE: B		
CHANGE: MATERIAL		TITLE: 10X10, 68LD, 0.50mm SOCKET ASSEMBLY		DWG. NO. FSK10X1068SN0501
NOTE: PROJECTION		INTERPRET GEOMETRIC TOLERANCING PER: ANSI Y14.5M 1982		REV: A
FINISH: ---		WWW.ARDENTCONCEPTS.COM		SCALE: 2:1 WEIGHT: SHEET 2 OF 2