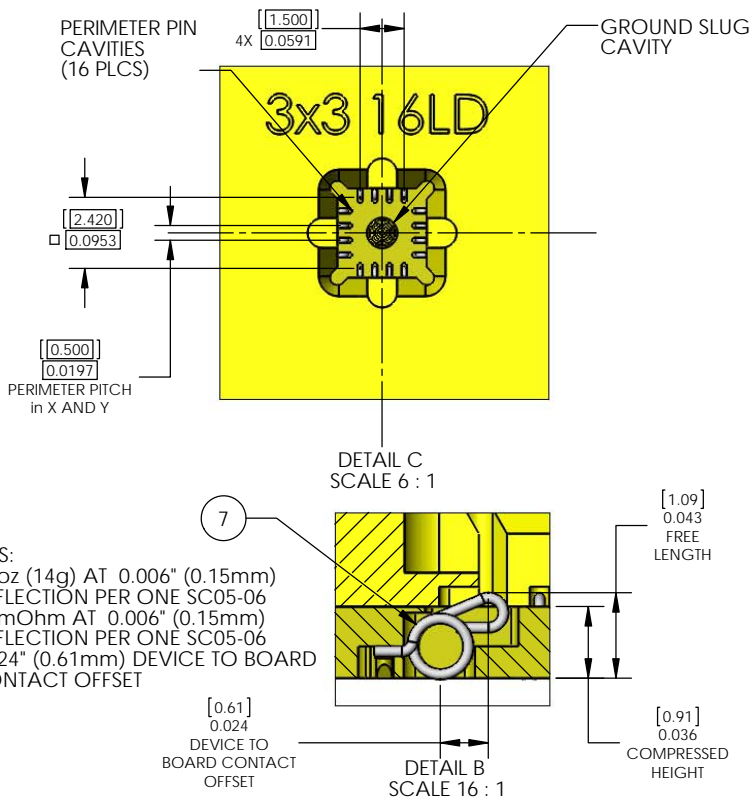
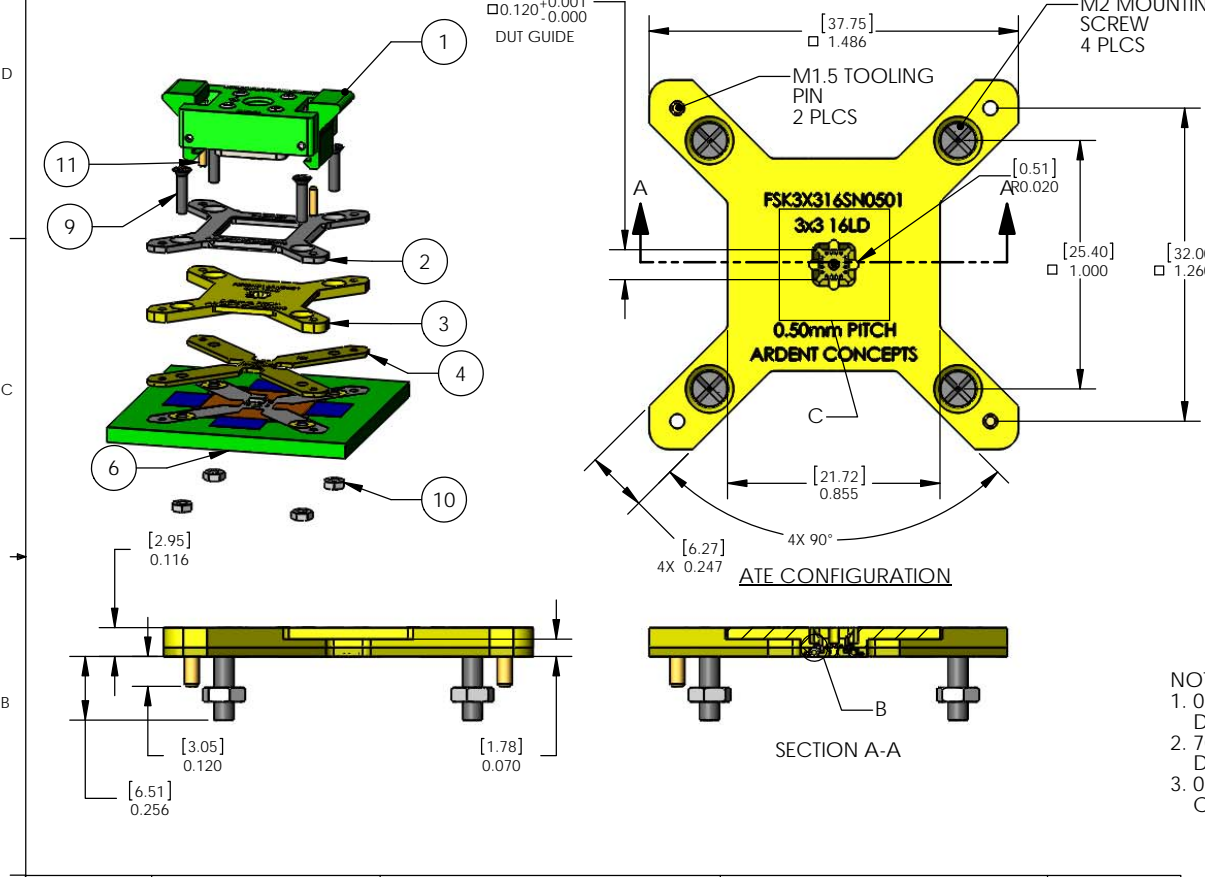


**PROPRIETARY AND CONFIDENTIAL**  
 THE INFORMATION CONTAINED IN THIS DRAWING IS THE SOLE PROPERTY OF ARDENT CONCEPTS, INC. ANY REPRODUCTION IN PART OR AS A WHOLE WITHOUT THE WRITTEN PERMISSION OF ARDENT CONCEPTS, INC. IS PROHIBITED.

REVISIONS			
REV.	DESCRIPTION	DATE	APPROVED
A	RELEASED; ECN11-0764	4/29/11	DJI



- NOTES:  
 1. 0.5oz (14g) AT 0.006" (0.15mm) DEFLECTION PER ONE SC05-06  
 2. 70 mOhm AT 0.006" (0.15mm) DEFLECTION PER ONE SC05-06  
 3. 0.024" (0.61mm) DEVICE TO BOARD CONTACT OFFSET

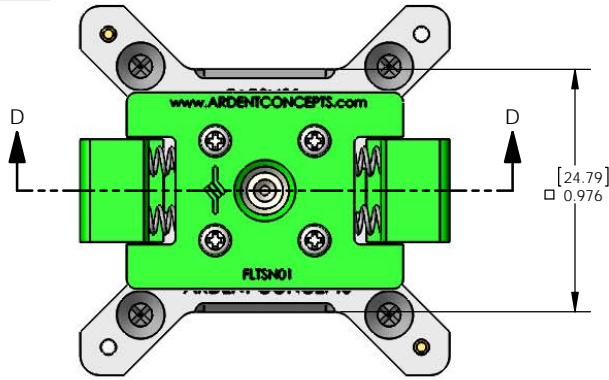
ITEM NO.	PART NUMBER	DESCRIPTION	Material	Default/QTY.
1	FLD3X3SN01	HAND TEST LID	REF	REF
2	FAPSN01	ADAPTER PLATE	303 STAINLESS STEEL	1
3	FGP3X316SN0501	GUIDE PLATE	TORLON 4203	1
4	FIN3X316SN0501	INSULATOR	TORLON 4203	1
5	FSCSN01	SHIPPING COVER	ESD LEXAN	1
6	FFP3X316SN0501	FOOTPRINT SPECIFICATION	REF	REF
7	SC05-06	.5mm .005" RC Scrub-R	SEMI PRECIOUS ALLOY	16
8	CEGS0502	GROUND SLUG	GOLD PLATED BERYLLIUM COPPER	1
9	M20FHCS08	M2 FLAT HEAD X 8mm	18-8 STAINLESS STEEL	4
10	M20NUT	M2 NUT	18-8 STAINLESS STEEL	4
11	M15DP06	M1.5 X 6mm DOWEL PIN, 9159A005	HARDENED STEEL	2

<b>INCH</b> UNLESS OTHERWISE SPECIFIED. TOLERANCES: ANGLES: ±3 X.XX = ±.005 X.XXX = ±.002 X.XXXX = ±.001		DRAWN: DJI DATE: 4/27/11 CHECKED: ENG APPR:	 4 MERRILL INDUSTRIAL DR, SUITE 102 HAMPTON, NH 03842 (603) 926-2517
CHANGE MATERIAL NOTE PROJECTION FINISH ---	SIZE: <b>B</b> TITLE: 3X3, 16LD, 0.50mm SOCKET ASSEMBLY	INTERPRET GEOMETRIC TOLERANCING PER: ANSI Y14.5M 1982 DWG. NO.: FSK3X316SN0501 REV: A	
WWW.ARDENTCONCEPTS.COM		SCALE: 2:1	WEIGHT: SHEET 1 OF 2

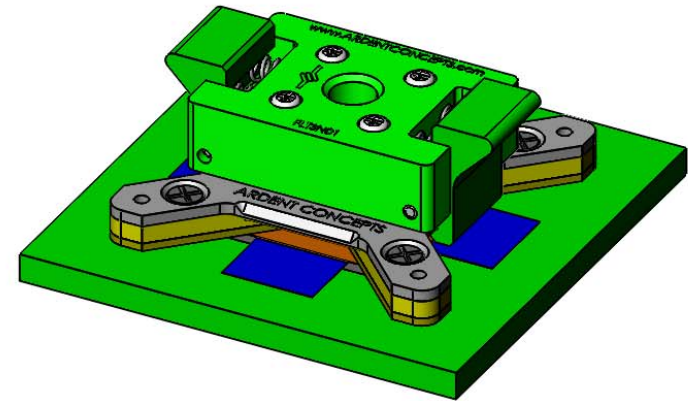
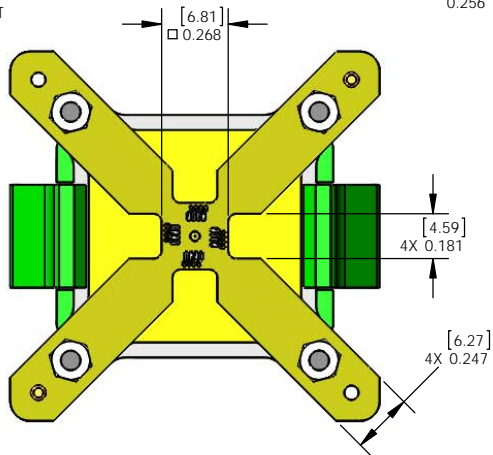
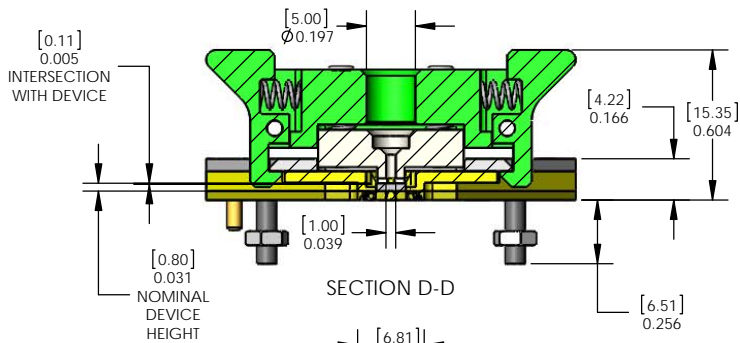
8 7 6 5 4 3 2 1

**PROPRIETARY AND CONFIDENTIAL**  
 THE INFORMATION CONTAINED IN THIS DRAWING IS THE SOLE PROPERTY OF ARDENT CONCEPTS, INC. ANY REPRODUCTION IN PART OR AS A WHOLE WITHOUT THE WRITTEN PERMISSION OF ARDENT CONCEPTS, INC. IS PROHIBITED.

REVISIONS			
REV.	DESCRIPTION	DATE	APPROVED
A	RELEASED; ECN11-0764	4/29/11	DJI



BENCH TEST CONFIGURATION



<b>INCH</b> UNLESS OTHERWISE SPECIFIED. TOLERANCES: ANGLES: ± 3 X.XX = ± .005 X.XXX = ± .002 X.XXXX = ± .001		DRAWN: DJI DATE: 4/27/11 CHECKED: ENG APPR:	 <b>ARDENT CONCEPTS</b> <small>Manufacturing and Test Equipment Division</small> 4 MERRILL INDUSTRIAL DR, SUITE 102 HAMPTON, NH 03842 (603) 926-2517
CHANGE: [Hexagon] [Triangle] [Circle] MATERIAL: --- FINISH: ---	SIZE: <b>B</b> TITLE: 3X3, 16LD, 0.50mm SOCKET ASSEMBLY DWG. NO. FSK3X316SN0501 INTERPRET GEOMETRIC TOLERANCING PER: ANSI Y14.5M 1982	REV: <b>A</b> SCALE: 2:1 WEIGHT: SHEET 2 OF 2	