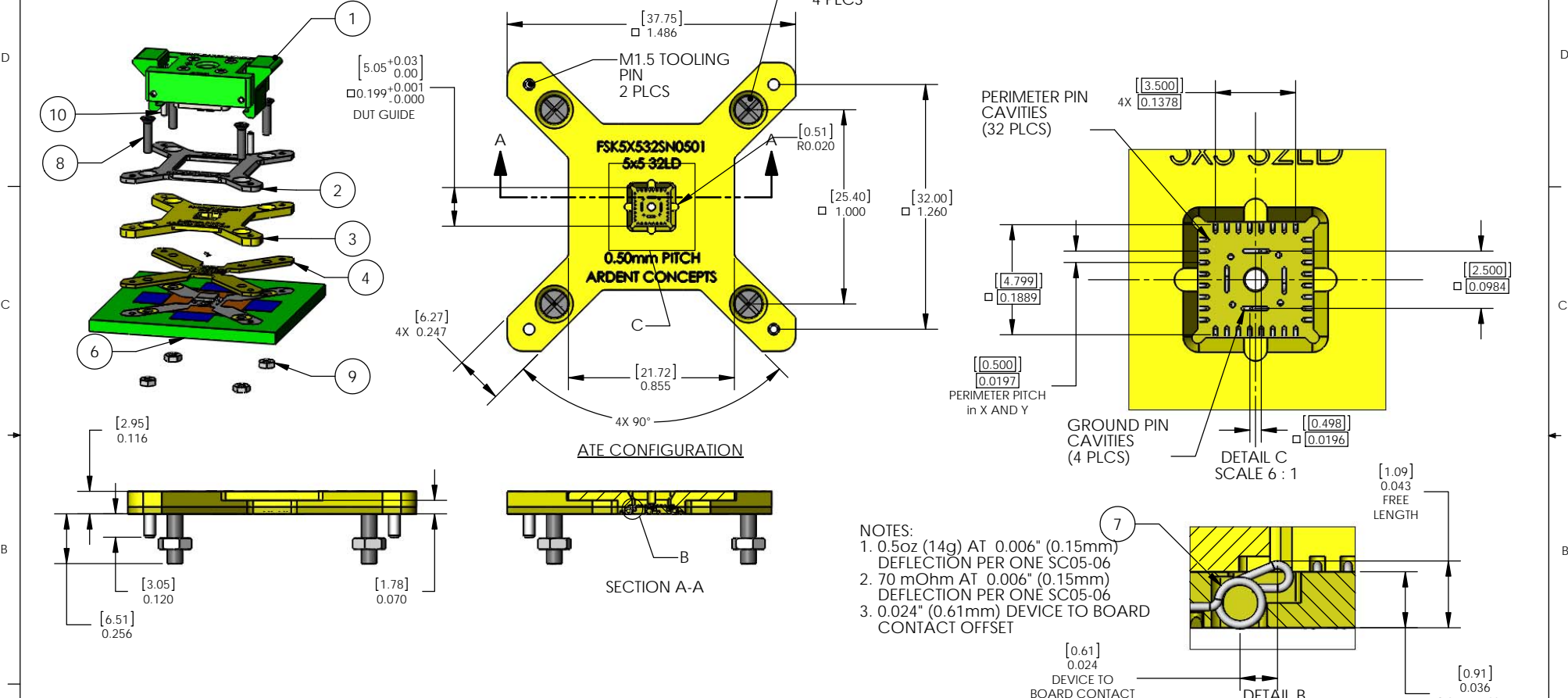


PROPRIETARY AND CONFIDENTIAL
 THE INFORMATION CONTAINED IN THIS DRAWING IS THE SOLE PROPERTY OF ARDENT CONCEPTS, INC.. ANY REPRODUCTION IN PART OR AS A WHOLE WITHOUT THE WRITTEN PERMISSION OF ARDENT CONCEPTS, INC. IS PROHIBITED.

REVISIONS			
REV.	DESCRIPTION	DATE	APPROVED
A	RELEASED; ECN11-0766	7/13/11	DJI

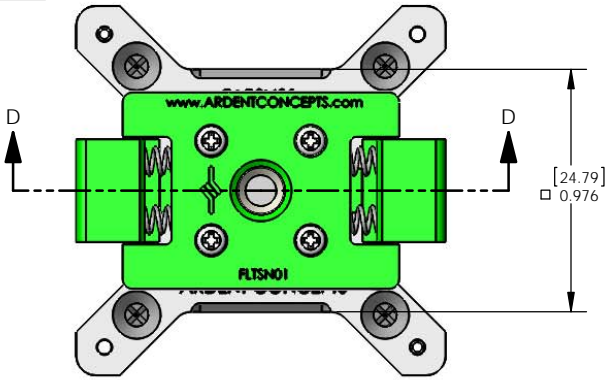


ITEM NO.	PART NUMBER	DESCRIPTION	Material	Default/QTY.
1	FLD5X5SN01	HAND TEST LID	REF	REF
2	FAPSN01	ADAPTER PLATE	303 STAINLESS STEEL	1
3	FGP5X532SN0501	GUIDE PLATE	TORLON 4203	1
4	FIN5X532SN0501	INSULATOR	TORLON 4203	1
5	FSCSN01	SHIPPING COVER	ESD LEXAN	1
6	FFP5X532SN0501	FOOTPRINT SPECIFICATION	REF	REF
7	SC05-06	.5mm .005" RC Scrub-R	SEMI PRECIOUS ALLOY	36
8	M20FHCS08	M2 FLAT HEAD X 8mm	18-8 STAINLESS STEEL	4
9	M20NUT	M2 NUT	18-8 STAINLESS STEEL	4
10	M15DP06	M1.5 X 6mm DOWEL PIN, 9159A005	HARDENED STEEL	2

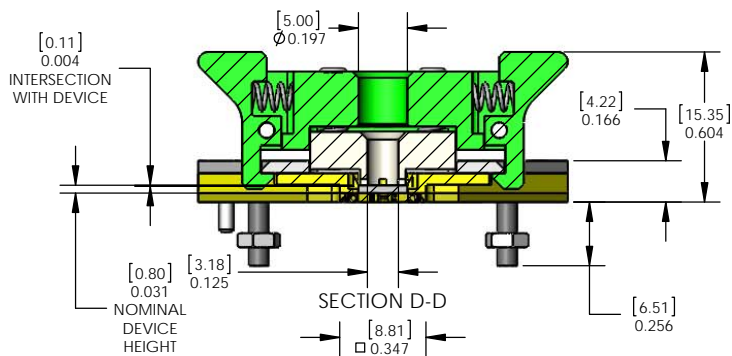
INCH UNLESS OTHERWISE SPECIFIED. TOLERANCES: ANGLES: ± 3 XXX = ± .005 X.XXX = ± .002 X.XXXX = ± .001		DRAWN: DJI DATE: 7/13/11 CHECKED: ENG APPR:	ARDENT CONCEPTS <small>Manufacturing and Test Equipment Division</small> 4 MERRILL INDUSTRIAL DR, SUITE 102 HAMPTON, NH 03842 (603) 926-2517
CHANGE: NOTE: PROJECTION: MATERIAL: FINISH:	SIZE: B TITLE: 5X5, 32LD, 0.50mm SOCKET ASSEMBLY INTERPRET GEOMETRIC TOLERANCING PER: ANSI Y14.5M 1982 DWG. NO. FSK5X532SN0501 REV A	WWW.ARDENTCONCEPTS.COM SCALE: 2:1 WEIGHT: SHEET 1 OF 2	

PROPRIETARY AND CONFIDENTIAL
 THE INFORMATION CONTAINED IN THIS DRAWING IS THE SOLE PROPERTY OF ARDENT CONCEPTS, INC. ANY REPRODUCTION IN PART OR AS A WHOLE WITHOUT THE WRITTEN PERMISSION OF ARDENT CONCEPTS, INC. IS PROHIBITED.

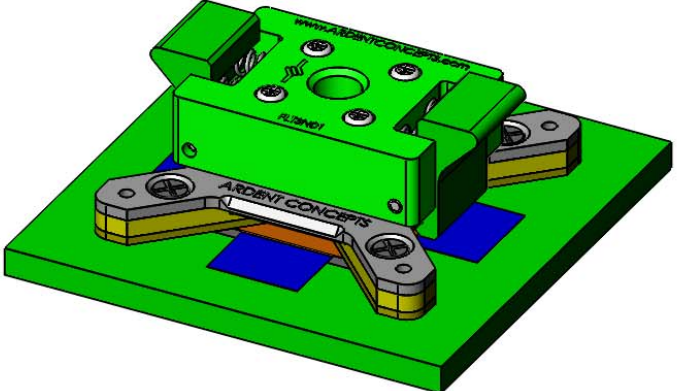
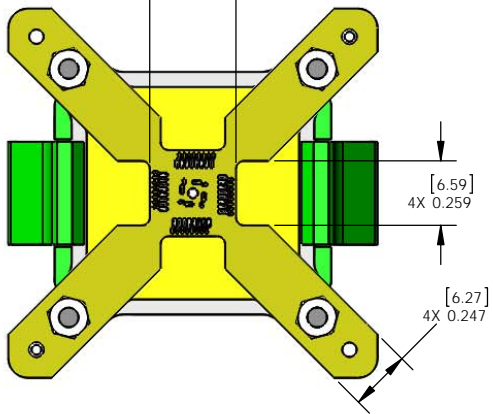
REVISIONS			
REV.	DESCRIPTION	DATE	APPROVED
A	RELEASED; ECN11-0766	7/13/11	DJI




BENCH TEST CONFIGURATION



SECTION D-D



INCH UNLESS OTHERWISE SPECIFIED.		DRAWN: DJI	DATE: 7/13/11	 4 MERRILL INDUSTRIAL DR, SUITE 102 HAMPTON, NH 03842 (603) 926-2517
TOLERANCES: ANGLES: ± 3 X.XX = $\pm .005$ X.XXX = $\pm .002$ X.XXXX = $\pm .001$		CHECKED:	ENG APPR:	
CHANGE	NOTE	PROJECTION	SIZE: B	TITLE: 5X5, 32LD, 0.50mm SOCKET ASSEMBLY
MATERIAL	---	---	INTERPRET GEOMETRIC TOLERANCING PER: ANSI Y14.5M 1982	DWG. NO. FSK5X532SN0501
FINISH	---	---	WWW.ARDENTCONCEPTS.COM	SCALE: 2:1
			WEIGHT:	SHEET 2 OF 2

D
C
B
A

D
C
B
A

8 7 6 5 4 3 2 1