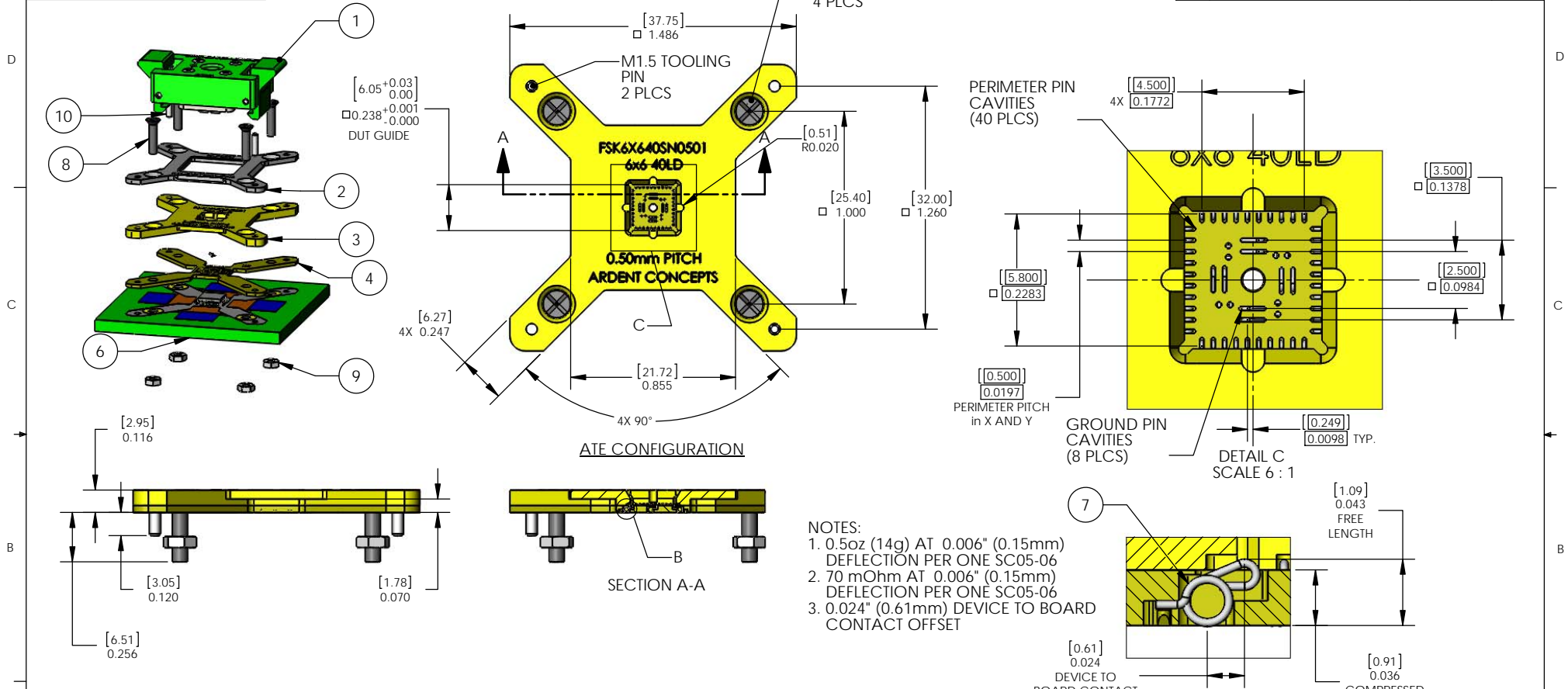


PROPRIETARY AND CONFIDENTIAL
 THE INFORMATION CONTAINED IN THIS DRAWING IS THE SOLE PROPERTY OF ARDENT CONCEPTS, INC.. ANY REPRODUCTION IN PART OR AS A WHOLE WITHOUT THE WRITTEN PERMISSION OF ARDENT CONCEPTS, INC. IS PROHIBITED.

REVISIONS			
REV.	DESCRIPTION	DATE	APPROVED
A	RELEASED; ECN11-0815	8/1/11	DJI



- NOTES:**
- 0.5oz (14g) AT 0.006" (0.15mm) DEFLECTION PER ONE SC05-06
 - 70 mOhm AT 0.006" (0.15mm) DEFLECTION PER ONE SC05-06
 - 0.024" (0.61mm) DEVICE TO BOARD CONTACT OFFSET

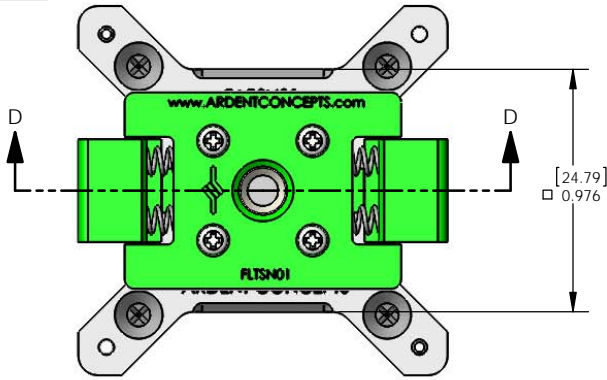
ITEM NO.	PART NUMBER	DESCRIPTION	Material	Default/QTY.
1	FLD6X6SN01	HAND TEST LID	REF	REF
2	FAPSN01	ADAPTER PLATE	303 STAINLESS STEEL	1
3	FGP6X640SN0501	GUIDE PLATE	TORLON 4203	1
4	FIN6X640SN0501	INSULATOR	TORLON 4203	1
5	FSCSN01	SHIPPING COVER	ESD LEXAN	1
6	FFP6X640SN0501	FOOTPRINT SPECIFICATION	REF	REF
7	SC05-06	.5mm .005" RC Scrub-R	SEMI PRECIOUS ALLOY	48
8	M20FHCS08	M2 FLAT HEAD X 8mm	18-8 STAINLESS STEEL	4
9	M20NUT	M2 NUT	18-8 STAINLESS STEEL	4
10	M15DP06	M1.5 X 6mm DOWEL PIN, 9159A005	HARDENED STEEL	2

INCH UNLESS OTHERWISE SPECIFIED. TOLERANCES: ANGLES: ±3 X.XX = ±.005 X.XXX = ±.002 X.XXXX = ±.001		DRAWN: DJI DATE: 8/1/11 CHECKED: ENG APPR:	 4 MERRILL INDUSTRIAL DR, SUITE 102 HAMPTON, NH 03842 (603) 926-2517	
CHANGE: MATERIAL NOTE: --- PROJECTION: --- FINISH: ---	SIZE: B TITLE: 6X6, 40LD, 0.50mm SOCKET ASSEMBLY	INTERPRET GEOMETRIC TOLERANCING PER: ANSI Y14.5M 1982 DWG. NO.: FSK6X640SN0501 REV: A		
WWW.ARDENTCONCEPTS.COM		SCALE: 2:1	WEIGHT:	SHEET 1 OF 2

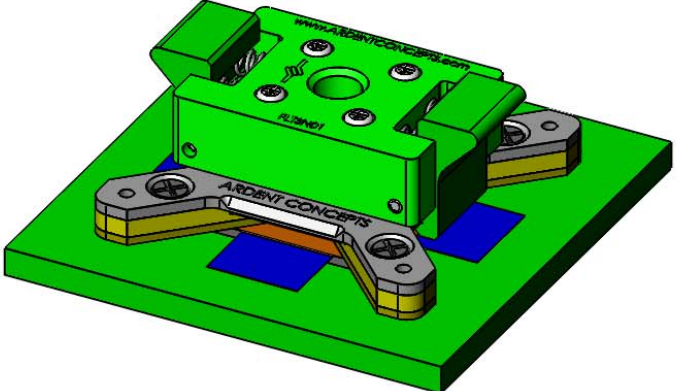
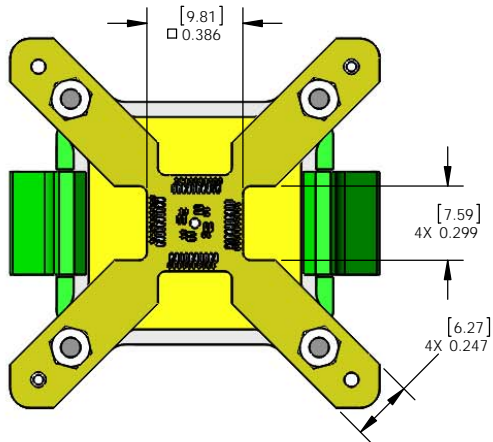
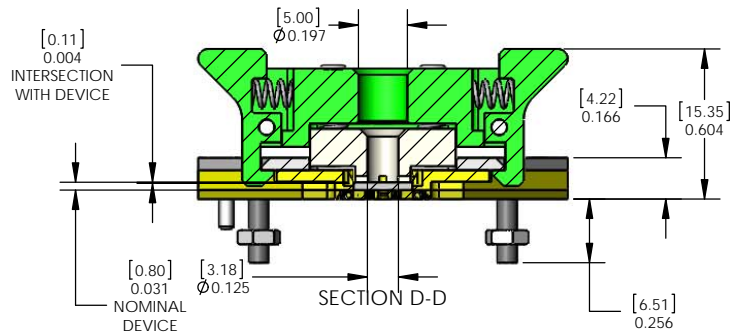
8 7 6 5 4 3 2 1

PROPRIETARY AND CONFIDENTIAL
 THE INFORMATION CONTAINED IN THIS DRAWING IS THE SOLE PROPERTY OF ARDENT CONCEPTS, INC. ANY REPRODUCTION IN PART OR AS A WHOLE WITHOUT THE WRITTEN PERMISSION OF ARDENT CONCEPTS, INC. IS PROHIBITED.

REVISIONS			
REV.	DESCRIPTION	DATE	APPROVED
A	RELEASED; ECN11-0815	8/1/11	DJI



BENCH TEST CONFIGURATION



INCH UNLESS OTHERWISE SPECIFIED. TOLERANCES: ANGLES: ± 3 X.XX = ± .005 X.XXX = ± .002 X.XXXX = ± .001		DRAWN: DJI DATE: 8/1/11 CHECKED: ENG APPR:	 4 MERRILL INDUSTRIAL DR, SUITE 102 HAMPTON, NH 03842 (603) 926-2517
CHANGE: [Hexagon symbol] MATERIAL: --- FINISH: ---	NOTE: [Triangle symbol] PROJECTION: [Circle symbol]	SIZE: B INTERPRET GEOMETRIC TOLERANCING PER: ANSI Y14.5M 1982	