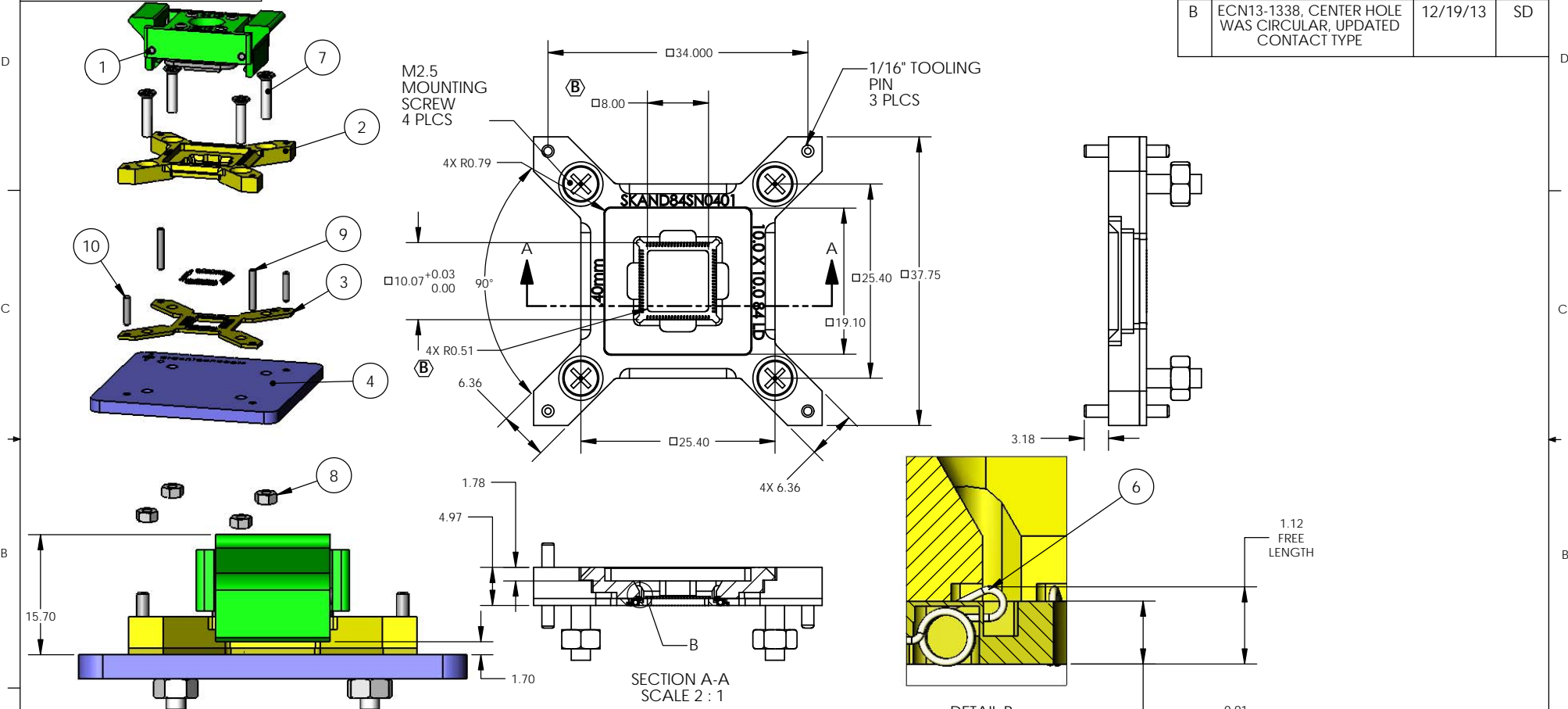


PROPRIETARY AND CONFIDENTIAL
 THE INFORMATION CONTAINED IN THIS DRAWING IS THE SOLE
 PROPERTY OF ARDENT CONCEPTS, INC. ANY REPRODUCTION
 IN PART OR AS A WHOLE WITHOUT THE WRITTEN PERMISSION OF
 ARDENT CONCEPTS, INC. IS PROHIBITED.

REVISIONS			
REV.	DESCRIPTION	DATE	APPROVED
A	RELEASED, ECN10-0627	09/14/10	SD
B	ECN13-1338, CENTER HOLE WAS CIRCULAR, UPDATED CONTACT TYPE	12/19/13	SD



ITEM NO.	PART NUMBER	DESCRIPTION	Default/QTY.
1	LDAND84SN0401	HAND TEST LID	1
2	GPAND84SN0401	GUIDE PLATE	1
3	INAND84SN0401	INSULATOR	1
4	SCAND84SN0401	SHIPPING COVER	1
5	FPAND84SN0401	FOOTPRINT SPECIFICATION	REF
6	SC04-04	HIGH FORCE 0.40mm RC SCRUB-R	84 (B)
7	M25FHCS12	M2.5 FLAT HEAD CAP SCREW X 12mm L	4
8	M25NUT	M2.5 HEX NUT, 90725A015	4
9	063DP04375	1/16" DOWEL PIN X 7/16"	2
10	063DP0312	1/16" DOWEL PIN X 5/16"	2

DETAIL B SCALE 18 : 1

0.91 COMPRESSED HEIGHT
1.12 FREE LENGTH

CHANGE NOTE PROJECTION	METRIC UNLESS OTHERWISE SPECIFIED. TOLERANCES: ANGLES: ± 3 X.X = ± 1 X.XX = ± 0.05 X.XXX = ± 0.025	 ARDENT CONCEPTS <small>Interpret or fabricate to:</small> 130 LEDGE ROAD, UNIT 2 SEABROOK, NH 03874 (603) 474-1760
MATERIAL: ---	TITLE: SOCKET ASSEMBLY	
FINISH: ---	DWG. NO. SKAND84SN0401	REV B
WWW.ARDENTCONCEPTS.COM		SCALE: 3:1 SHEET 1 OF 1