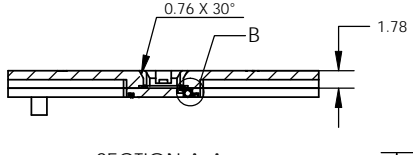
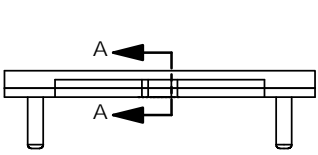
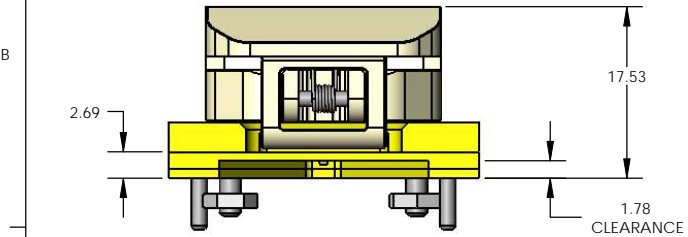
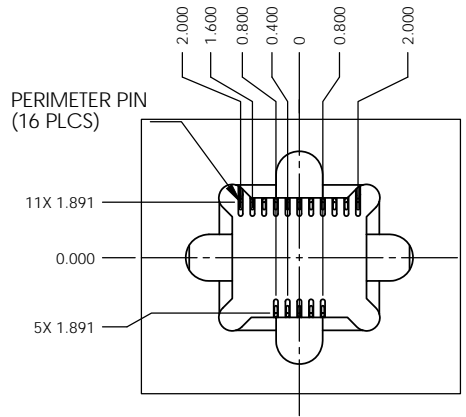
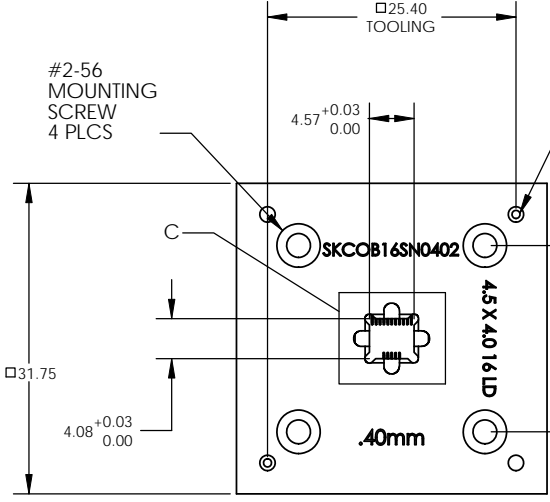
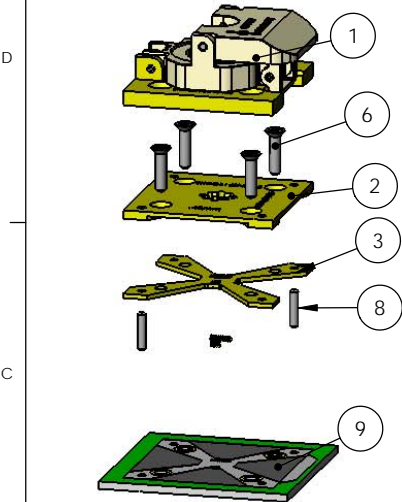


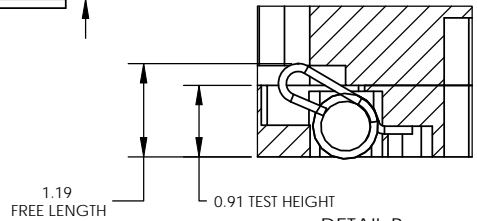
8 7 6 5 4 3 2 1

PROPRIETARY AND CONFIDENTIAL
 THE INFORMATION CONTAINED IN THIS DRAWING IS THE SOLE
 PROPERTY OF ARDENT CONCEPTS, INC. ANY REPRODUCTION
 IN PART OR AS A WHOLE WITHOUT THE WRITTEN PERMISSION OF
 ARDENT CONCEPTS, INC. IS PROHIBITED.

REVISIONS			
REV.	DESCRIPTION	DATE	APPROVED
A	RELEASED, ECN10-0664	11/16/10	SD



DETAIL C
SCALE 6 : 1



DETAIL B
SCALE 16 : 1

ITEM NO.	PART NUMBER	DESCRIPTION	Default/QTY.
1	FLDCOB16SN0402	CLAMSHELL LID	REF
2	GPCOB16SN0402	GUIDE PLATE	1
3	INCOB16SN0402	INSULATOR	1
4	SCCOB16SN0402	SHIPPING COVER	1
5	SC04-03	.40mm RC SCRUB-R BECU	16
6	256FHCS0375	2-56 FLAT HEAD SCREW	4
7	256NUT	2-56 NUT	4
8	063DP0312	1/16" DOWEL PIN X 5/16"	2
9	FPCOB16SN0402	FOOTPRINT SPECIFICATION	REF

METRIC
UNLESS OTHERWISE SPECIFIED.

TOLERANCES:
 ANGLES: ± 3 X.X = ± 10
 X.XX = ± 05
 X.XXX = ± 02

DRAWN: SD DATE: 09/04/09
 CHECKED: _____
 ENG APPR: _____

ARDENT CONCEPTS
 4 MERRILL INDUSTRIAL DR, SUITE 102
 HAMPTON, NH 03842
 (603) 926-2517

SIZE: **B** TITLE: SOCKET ASSEMBLY

CHANGE: _____ NOTE: _____ PROJECTION: _____
 MATERIAL: --- FINISH: ---

INTERPRET GEOMETRIC TOLERANCING PER: ANSI Y14.5M 1982 DWG. NO. SKCOB16SN0402 REV A

WWW.ARDENTCONCEPTS.COM SCALE: 1:3 WEIGHT: SHEET 1 OF 1