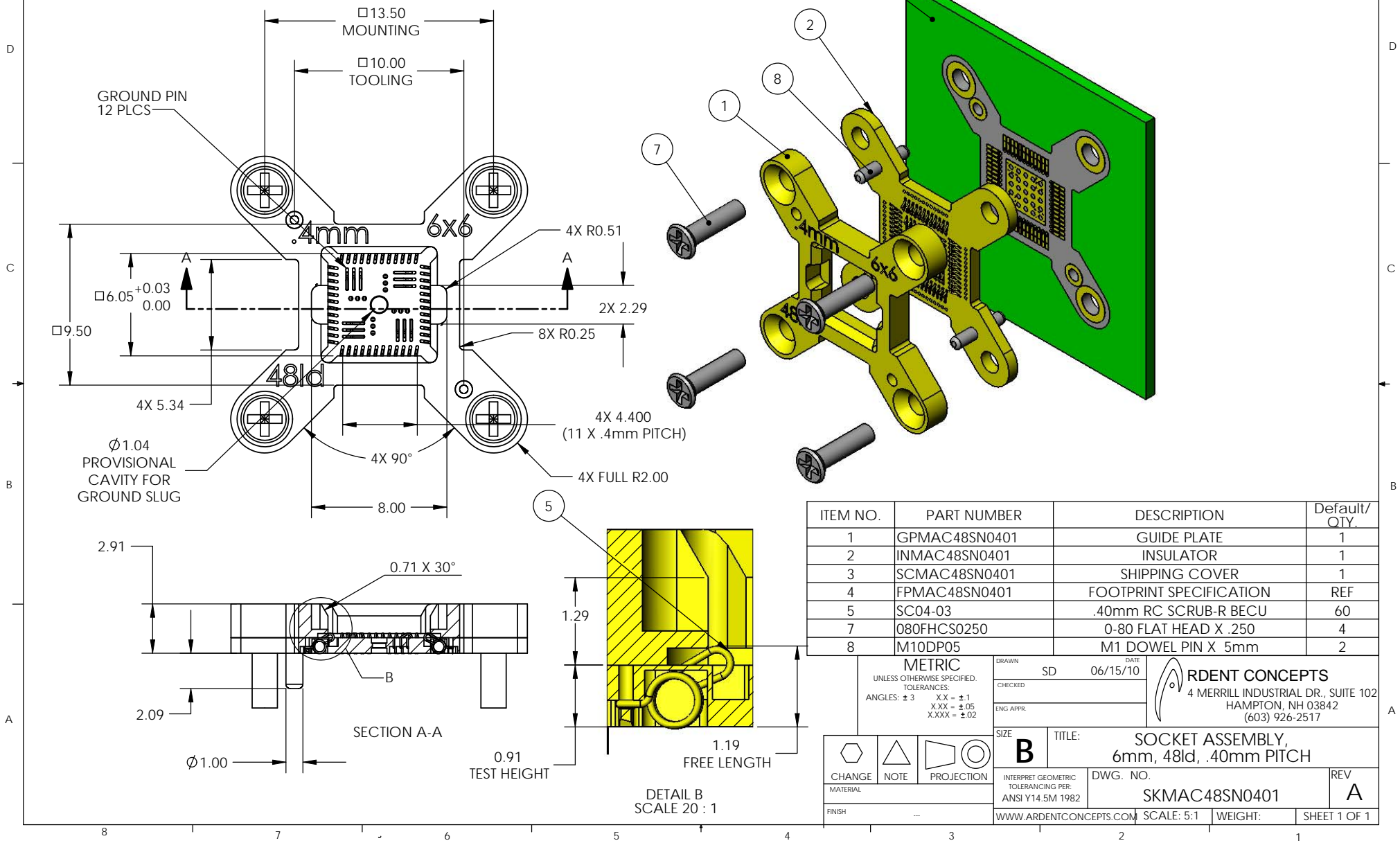


**PROPRIETARY AND CONFIDENTIAL**  
 THE INFORMATION CONTAINED IN THIS DRAWING IS THE SOLE PROPERTY OF ARDENT CONCEPTS, INC.. ANY REPRODUCTION IN PART OR AS A WHOLE WITHOUT THE WRITTEN PERMISSION OF ARDENT CONCEPTS, INC. IS PROHIBITED.

REVISIONS			
REV.	DESCRIPTION	DATE	APPROVED
A	RELEASED, ECN10-0599	07/29/10	SD



ITEM NO.	PART NUMBER	DESCRIPTION	Default/ QTY.
1	GPMAC48SN0401	GUIDE PLATE	1
2	INMAC48SN0401	INSULATOR	1
3	SCMAC48SN0401	SHIPPING COVER	1
4	FPMAC48SN0401	FOOTPRINT SPECIFICATION	REF
5	SC04-03	.40mm RC SCRUB-R BECU	60
7	O80FHCS0250	0-80 FLAT HEAD X .250	4
8	M10DP05	M1 DOWEL PIN X 5mm	2

**METRIC**  
 UNLESS OTHERWISE SPECIFIED:  
 TOLERANCES:  
 ANGLES: ±3  
 XX = ±.1  
 XXX = ±.05  
 XXXX = ±.02

DRAWN: SD DATE: 06/15/10  
 CHECKED:  
 ENG APPR:

**ARDENT CONCEPTS**  
 4 MERRILL INDUSTRIAL DR., SUITE 102  
 HAMPTON, NH 03842  
 (603) 926-2517

SIZE: **B** TITLE: **SOCKET ASSEMBLY, 6mm, 48ld, .40mm PITCH**

CHANGE MATERIAL FINISH: ---

INTERPRET GEOMETRIC TOLERANCING PER: ANSI Y14.5M 1982 DWG. NO.: **SKMAC48SN0401** REV: **A**

WWW.ARDENTCONCEPTS.COM SCALE: 5:1 WEIGHT: SHEET 1 OF 1