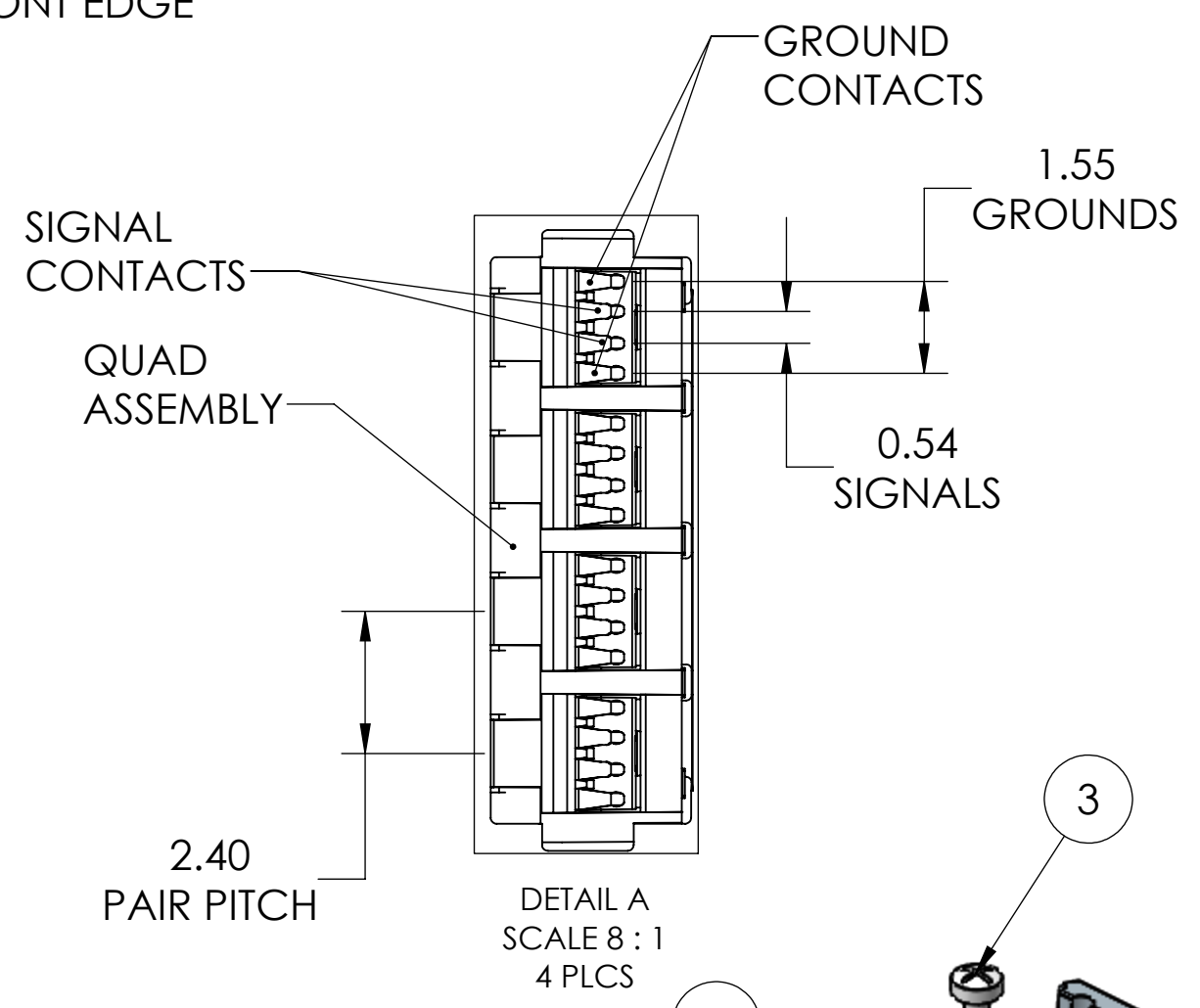
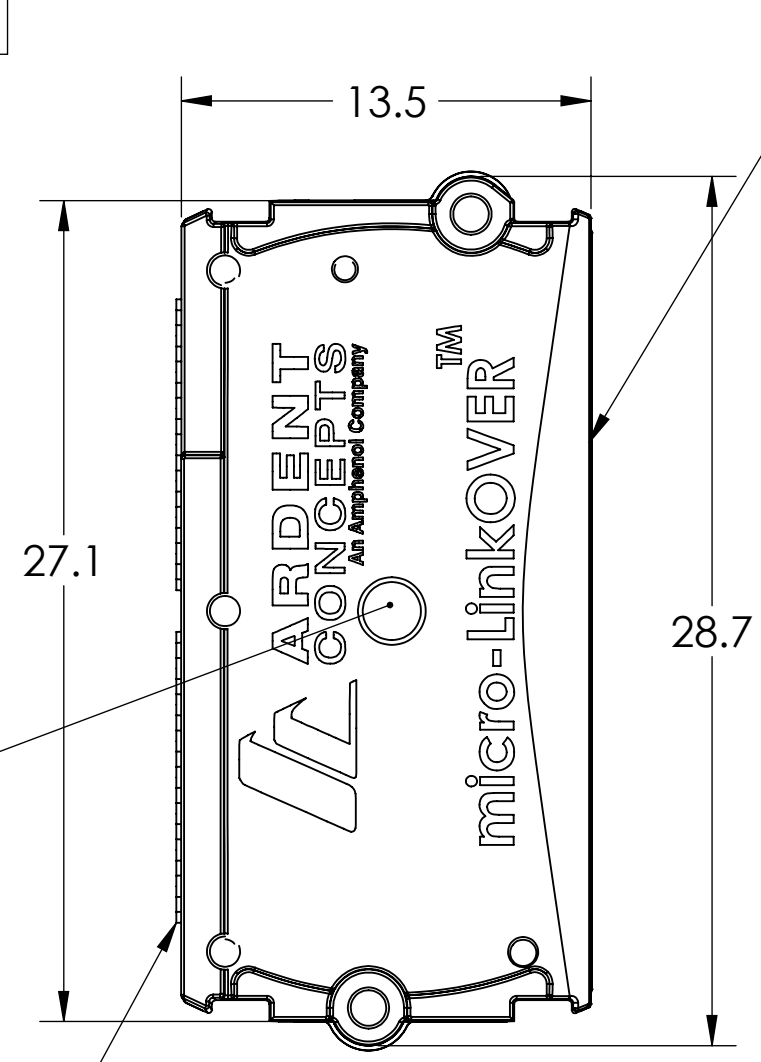
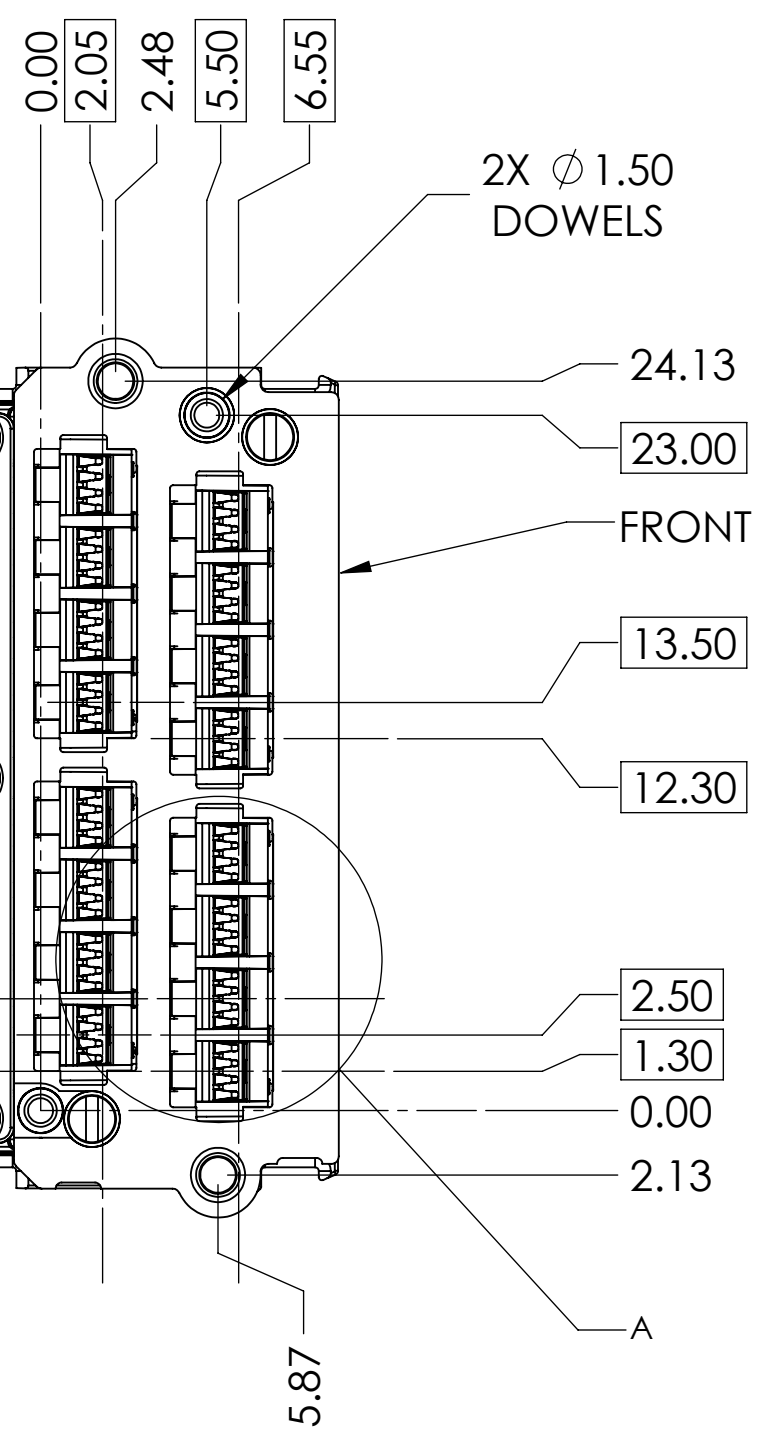
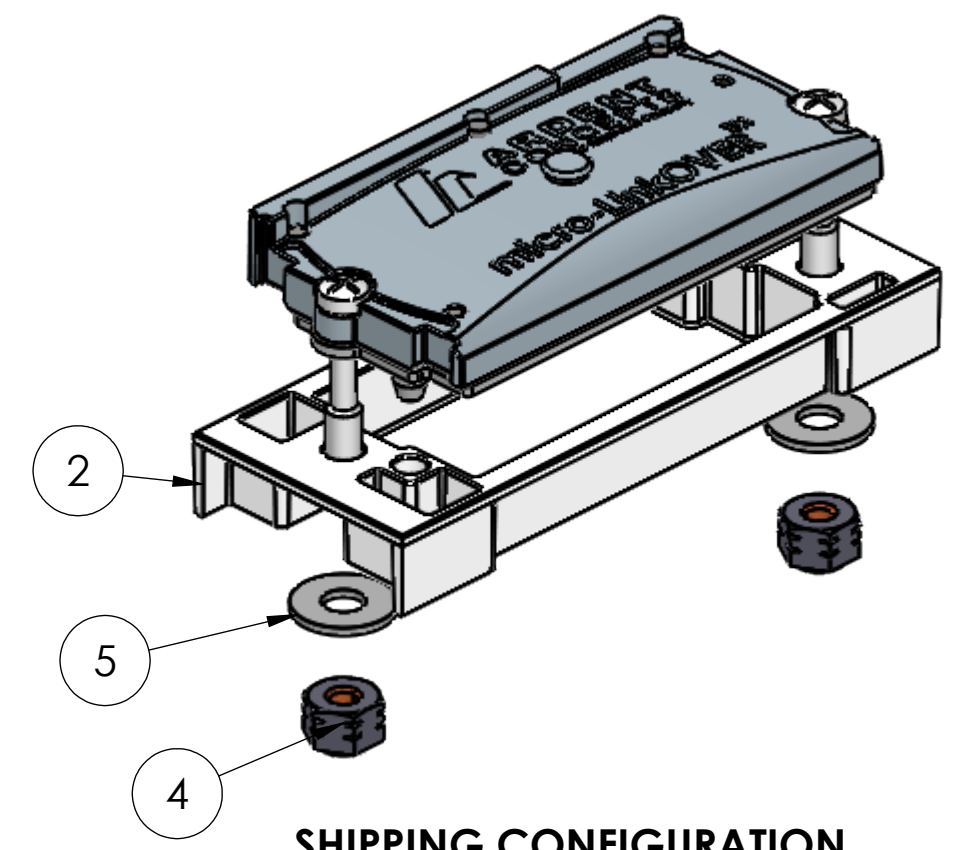
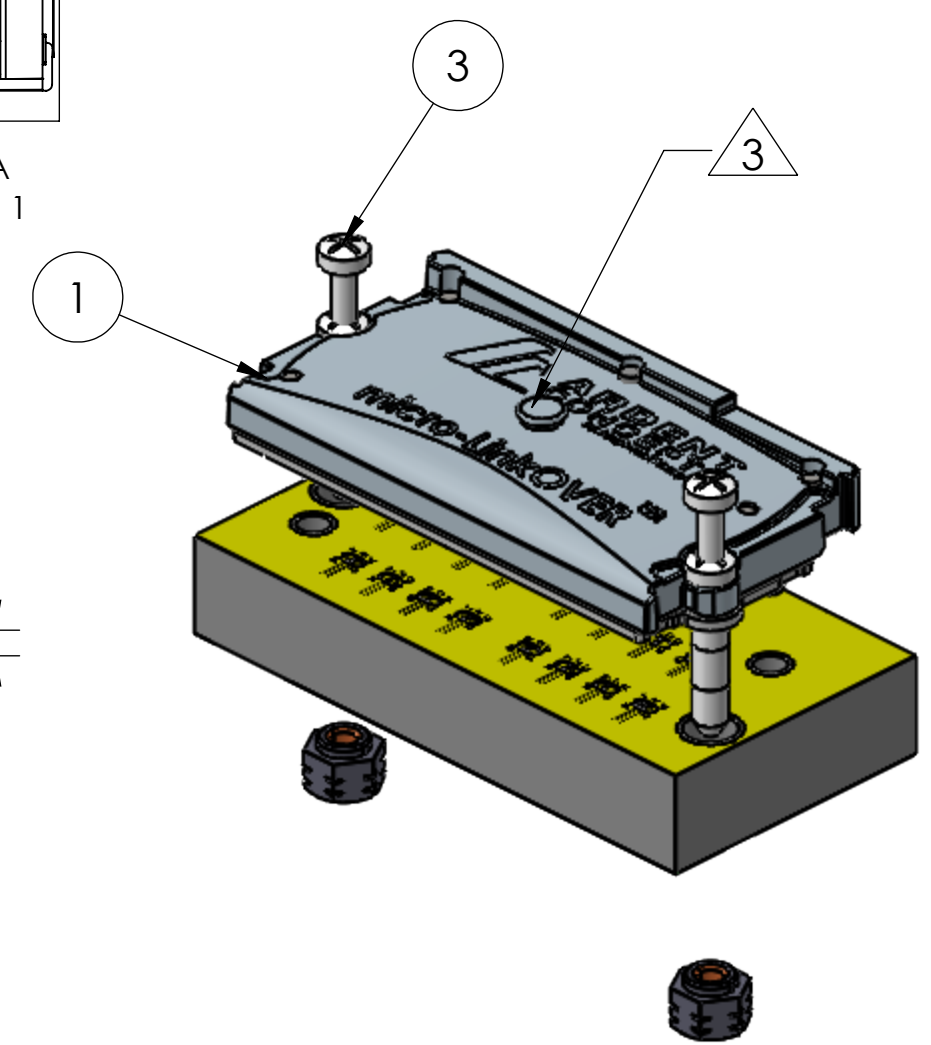
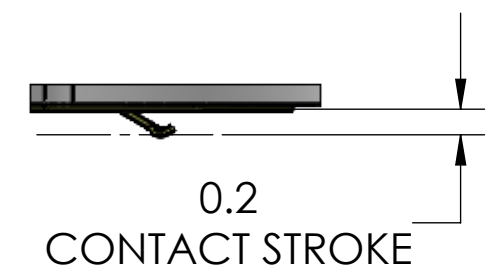
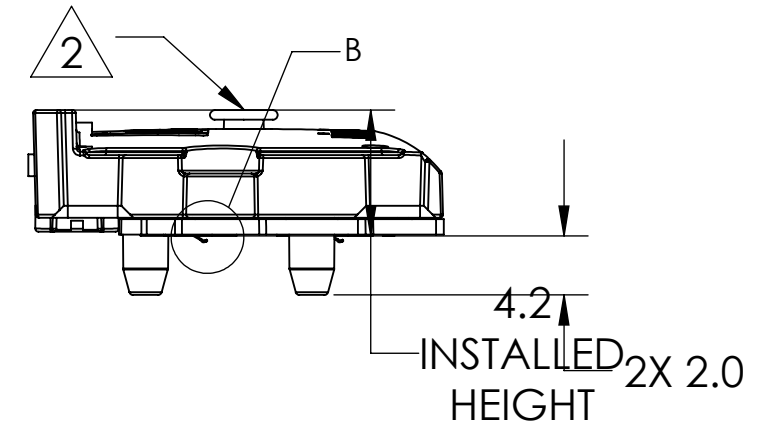


PROPRIETARY AND CONFIDENTIAL
 THE INFORMATION CONTAINED IN THIS DRAWING IS THE SOLE PROPERTY OF ARDENT CONCEPTS, INC. ANY REPRODUCTION IN PART OR AS A WHOLE WITHOUT THE WRITTEN PERMISSION OF ARDENT CONCEPTS, INC. IS PROHIBITED.

REVISIONS			
REV.	DESCRIPTION	DATE	APPROVED
A	RELEASED, ECN19-3235	10/31/19	SD
B	CORRECTED O'ALL HEIGHT	12/18/19	SD
C	UPDATED PINOUT	01/27/20	SD
D	ADDED NUTS, SHIPPING COVER	02/07/19	SD
E	UPDATE FOR HVM	03/11/20	SD
F	RELEASED, ECN20-4097	04/02/20	SD
G	ECN20-4192, 1.50mm WAS 1.00mm	06/18/20	SD
H	UPDATE HARDWARE	07/30/20	SD
I	ECN21-4583, ADDED SMT NUTS AND WASHERS	02/06/21	SD
J	ECN21-4829, UPDATE GUIDE PLATE TO STABILIZE MOUNTING PROCESS	07/08/21	SD
K	ECN21-4959, CHANGED TO 0-80 WASHER	09/14/21	SD



DRAINLESS, 32 AWG 95 OHM TWINAX 16 CABLES



MOUNTING WITH SMT MOUNT M1.6 NUTS
NOTE: NUTS MUST BE REFLOWED TO THE BOARD BEFORE THE CONNECTOR CAN BE INSTALLED

SHIPPING CONFIGURATION

ITEM NO.	PART NUMBER	DESCRIPTION	SEATED/SCREW-MOUNT SEATED/QTY.
1	mLO-CON-S16X2-XXX-S-01	16 Pair micro-LinkOVER Connector, Screw Mount	1
2	mLO-AC-16X2-01	ANCHOR CARRIER	2
3	M16CPHCS10	M1.6 CAPTIVE PAN HEAD X 10mm	4
4	SMTSO-M1.6-2ET	SMT MOUNT PEM NUT, M1.6, 2mm L	4
5	080WS0188	#0-80 X.188" OD WASHER, 92141A002	4
6	mLO-FP-16X2-01	16 PAIR micro-LinkOVER FOOTPRINT SPECIFICATION, SCREW MOUNT	REF

- NOTES:
- XXX INDICATES CABLE LENGTH IN mm, FROM WIRE END TO WIRE END. THE EXPOSED CABLE LENGTH BETWEEN CONNECTORS IS XXX-16mm. LENGTH TOLERANCE IS ±50mm.
 - FLATTEN FLAT SPRING BUTTON.
 - CAPTIVE SCREWS SHIP SEPARATELY.
 - ITEM 4 SHIPS WITH THE CONNECTOR, BUT IS ALSO AVAILABLE FROM ELECTRONICS HARDWARE DISTRIBUTORS LOOSE PIECE OR IN TAPE AND REEL.

MILLIMETERS UNLESS OTHERWISE SPECIFIED.
 TOLERANCES:
 ANGLES: ± 3°
 X.X = ±.1
 X.XX = ±.05
 X.XXX = ±.025

4 MERRILL INDUSTRIAL DRIVE, SUITE 102
 HAMPTON, NH 03842
 (603) 474-1760

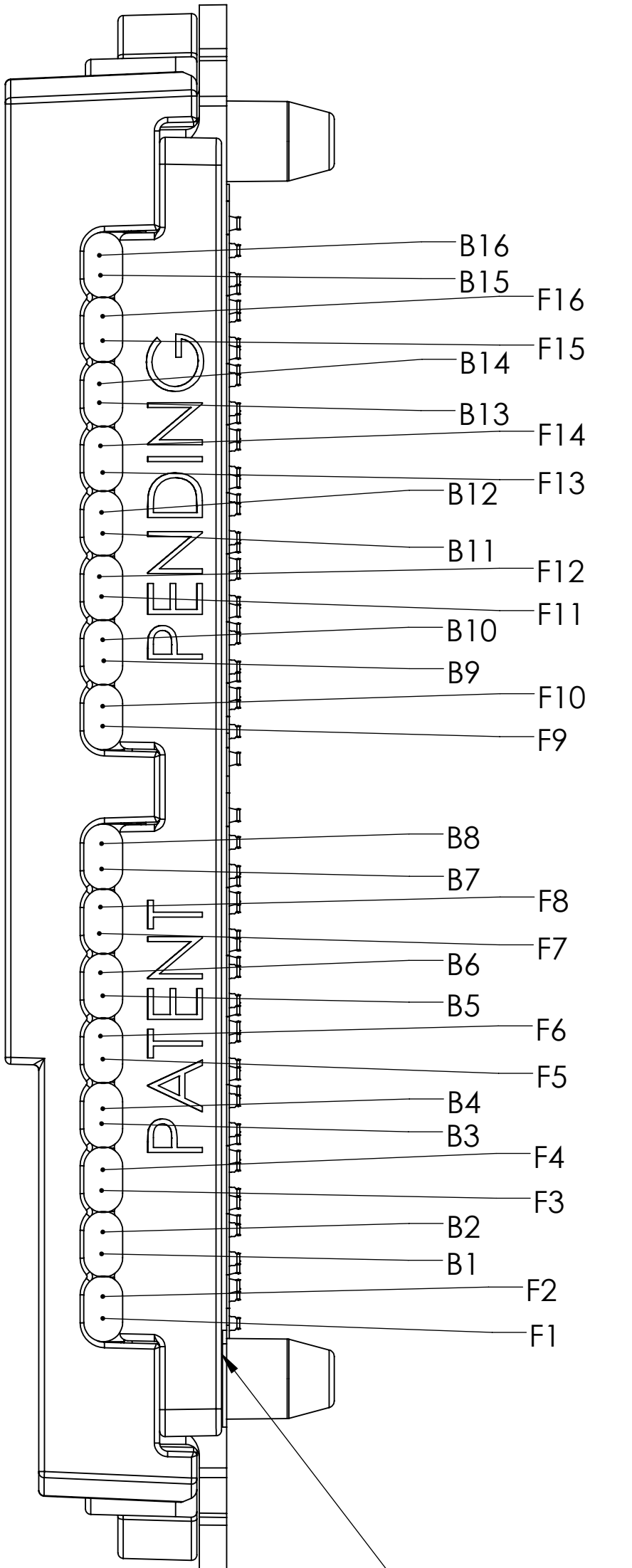
MATERIAL: VARIOUS
 SIZE: **C**
 TITLE: **16 PAIR micro-LinkOVER, SCREW MOUNT**

INTERPRET GEOMETRIC TOLERANCING PER: ANSI Y14.5M 1982
 DWG. NO.: **mLO-S16X2-XXX-S-01**
 REV: **K**

WWW.ARDENTCONCEPTS.COM SCALE: 4:1 WEIGHT: SHEET 1 OF 2

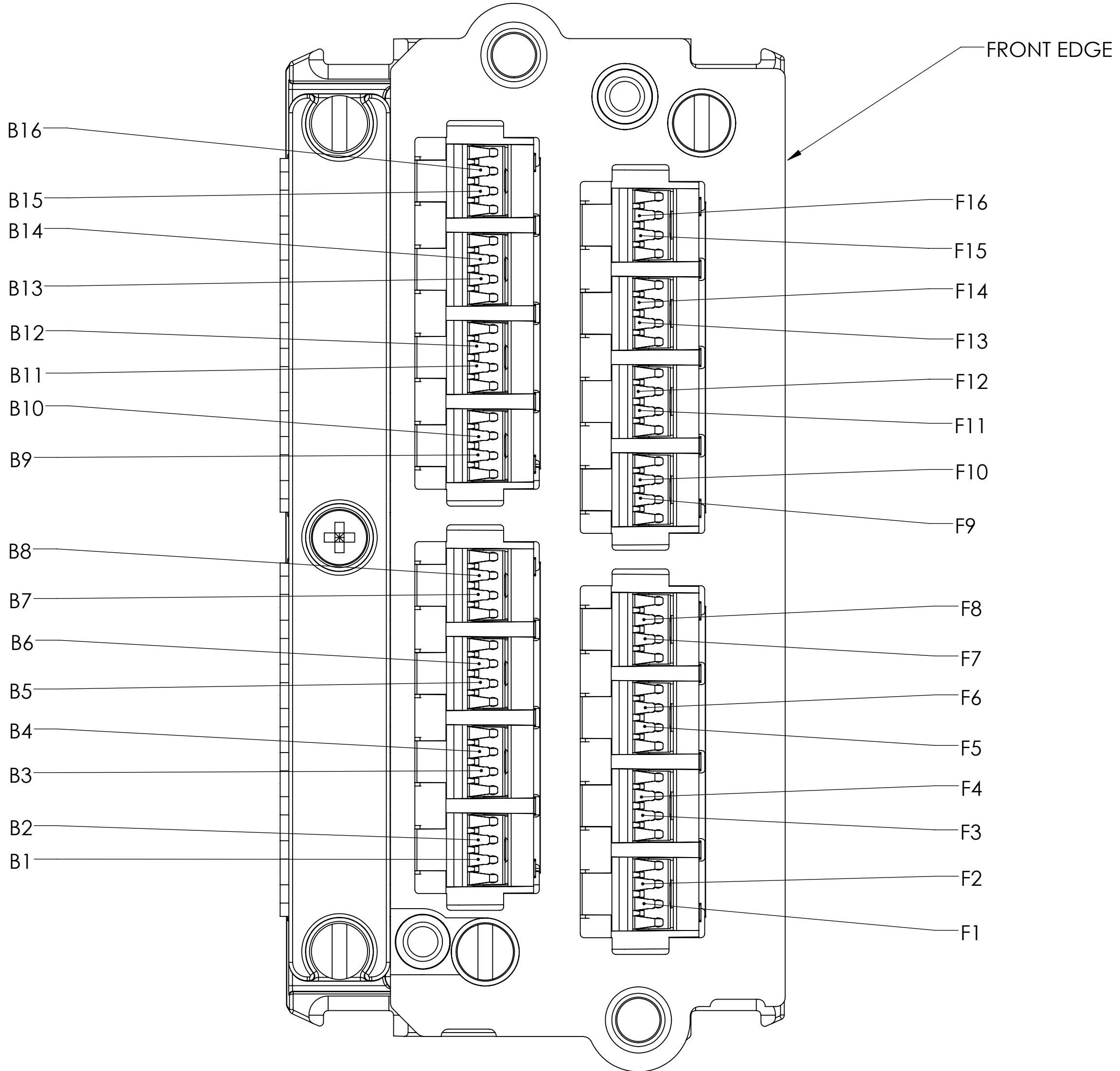
PROPRIETARY AND CONFIDENTIAL
 THE INFORMATION CONTAINED IN THIS DRAWING IS THE SOLE
 PROPERTY OF ARDENT CONCEPTS, INC. ANY REPRODUCTION
 IN PART OR AS A WHOLE WITHOUT THE WRITTEN PERMISSION OF
 ARDENT CONCEPTS, INC. IS PROHIBITED.

P1	P2
B1	> F16
B2	> F15
B3	> F14
B4	> F13
B5	> F12
B6	> F11
B7	> F10
B8	> F9
B9	> F8
B10	> F7
B11	> F6
B12	> F5
B13	> F4
B14	> F3
B15	> F2
B16	> F1
F1	> B16
F2	> B15
F3	> B14
F4	> B13
F5	> B12
F6	> B11
F7	> B10
F8	> B9
F9	> B8
F10	> B7
F11	> B6
F12	> B5
F13	> B4
F14	> B3
F15	> B2
F16	> B1



**P1 TO P2
 CABLE ROUTING**

PCB SIDE



**BOTTOM SIDE VIEWED FROM THE BOTTOM
PINOUT CONVENTION**

CHANGE NOTE PROJECTION	MILLIMETERS UNLESS OTHERWISE SPECIFIED. TOLERANCES: ANGLES: ± 3° X.X = ±.1 X.XX = ±.05 X.XXX = ±.025	 ARDENT CONCEPTS <small>an Acquisition Company</small> 4 MERRILL INDUSTRIAL DRIVE, SUITE 102 HAMPTON, NH 03842 (603) 474-1760
SIZE: C	DWG. NO. mLO-S16X2-XXX-S-01	REV K
INTERPRET GEOMETRIC TOLERANCING PER: ANSI Y14.5M 1982	WWW.ARDENTCONCEPTS.COM	SCALE: 4:1 WEIGHT: SHEET 2 OF 2