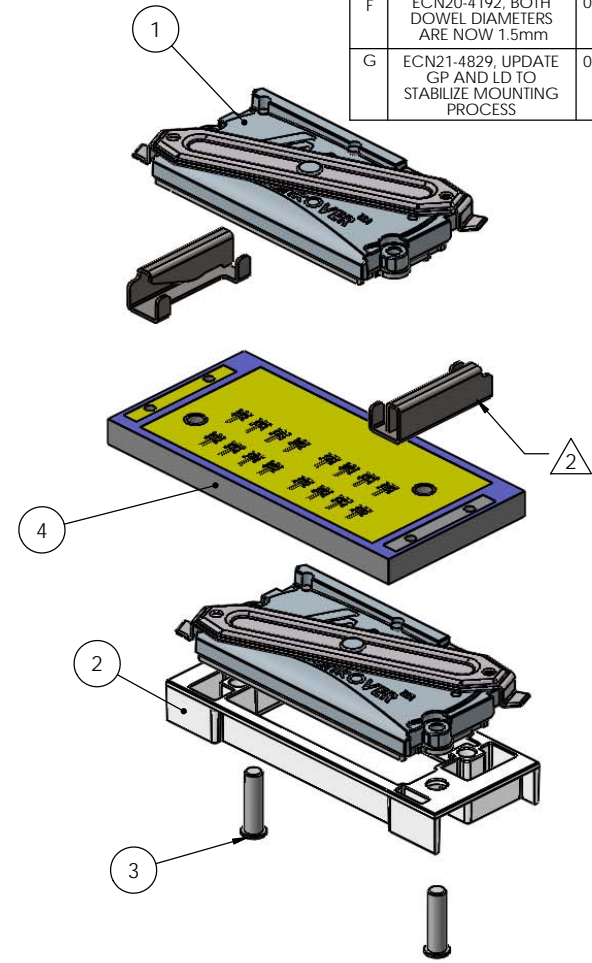
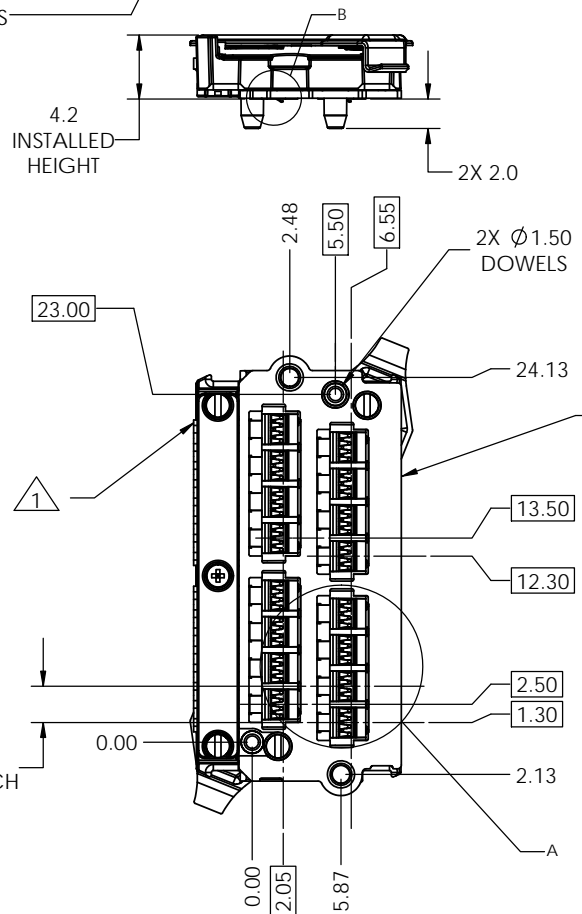
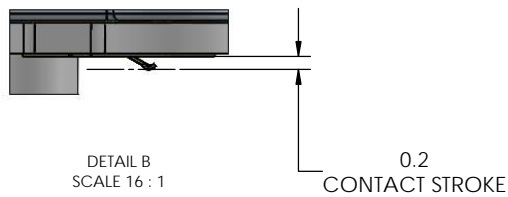
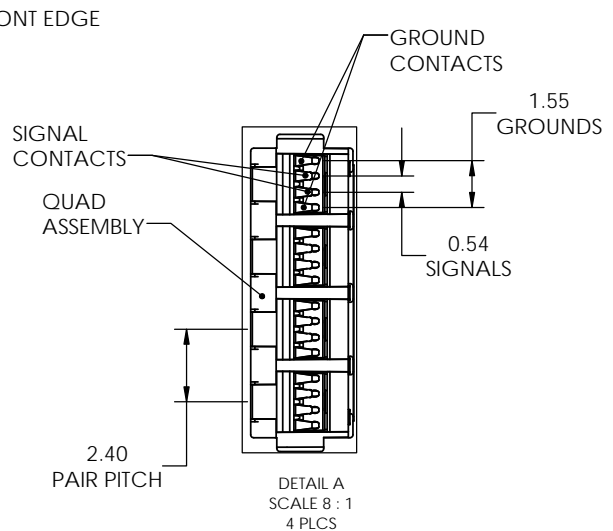
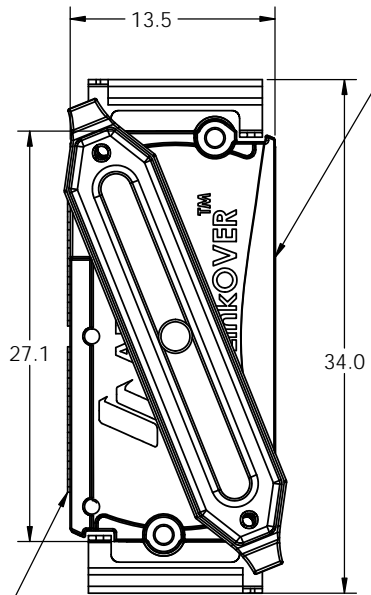


PROPRIETARY AND CONFIDENTIAL
 THE INFORMATION CONTAINED IN THIS DRAWING IS THE SOLE PROPERTY OF ARDENT CONCEPTS, INC. ANY REPRODUCTION IN PART OR AS A WHOLE WITHOUT THE WRITTEN PERMISSION OF ARDENT CONCEPTS, INC. IS PROHIBITED.



REVISIONS			
REV.	DESCRIPTION	DATE	APPROVED
A	RELEASED, ECN20-4026	02/20/20	SD
B	ADD ANCHOR CARRIER, SHIPPING HARDWARE	02/20/20	SD
C	RELEASED, ECN20-4097	04/02/20	SD
D	ECN20-4111, REMOVE ANCHORS FROM BOM	04/15/20	SD
E	DFM UPDATES	05/05/20	SD
F	ECN20-4192, BOTH DOWEL DIAMETERS ARE NOW 1.5mm	06/18/20	SD
G	ECN21-4829, UPDATE GP AND LD TO STABILIZE MOUNTING PROCESS	07/08/21	SD

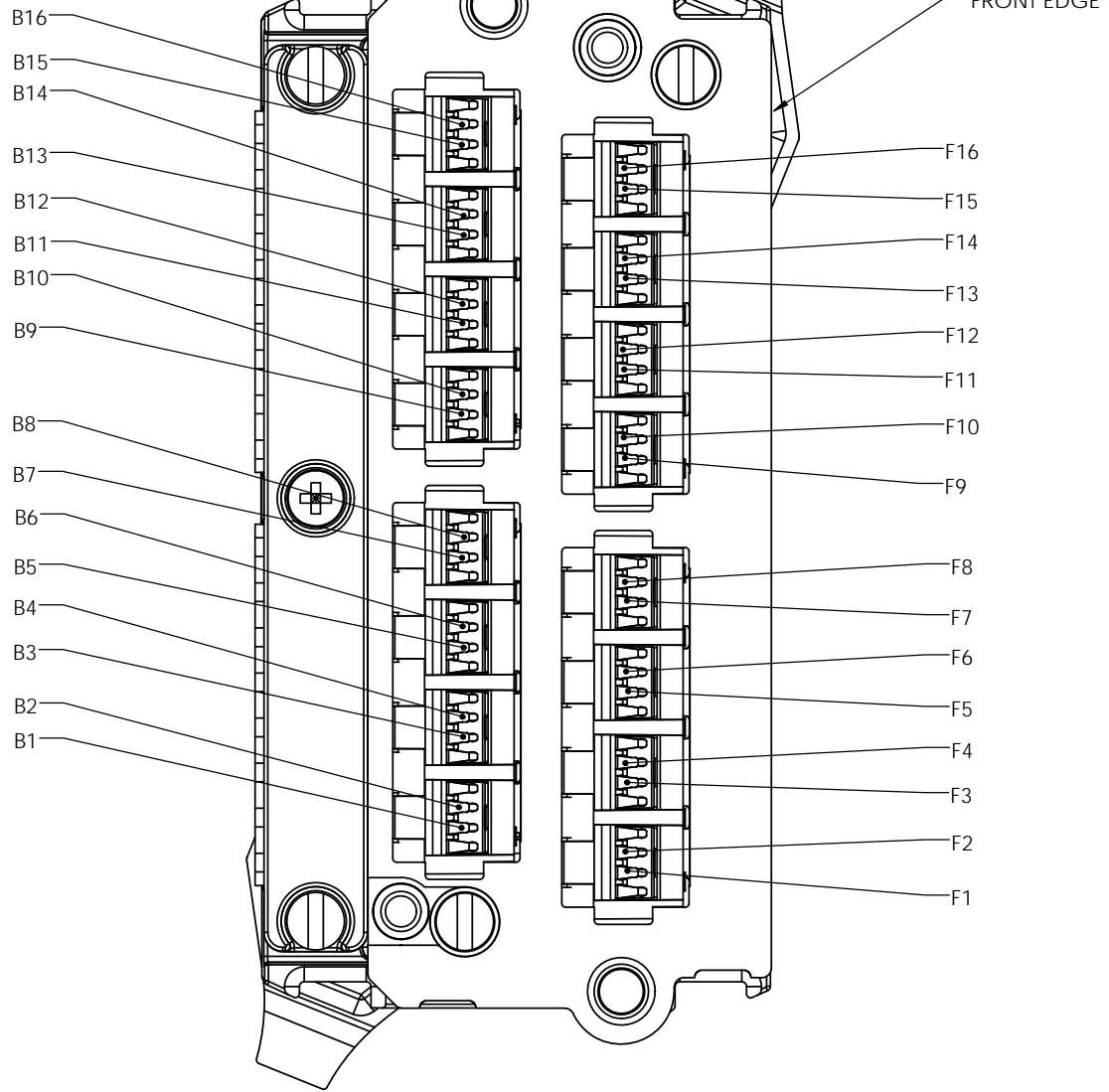
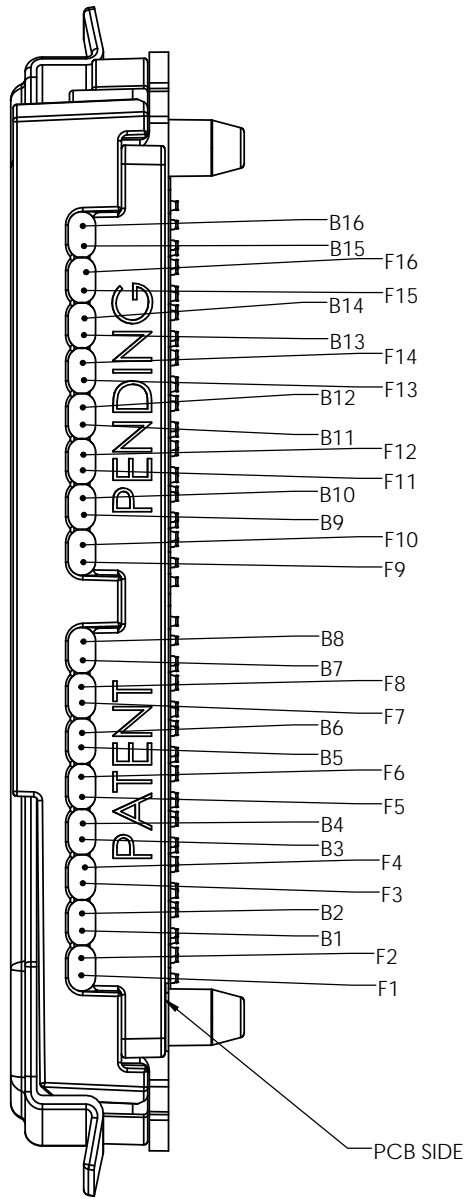
ITEM NO.	PART NUMBER	DESCRIPTION	SEATED/QTY
1	mLO-CON-S16X2-XXX-S-02	micro-LinkOVER CONNECTOR, SMT MOUNT	1
2	mLO-AC-16X2-01	ANCHOR CARRIER	2
3	M16PHCS06	M1.6 PAN HEAD X 6mm, 96773A625	4
4	mLO-FP-16X2-02	16 PAIR micro-LinkOVER FOOTPRINT SPECIFICATION, SMT MOUNT	REF

- NOTES:
- XXX INDICATES CABLE LENGTH IN mm.
 - ANCHORS SHIP AS PART OF AN ASSEMBLY WITH SEPARATE CARRIER IN TAPE AND REEL.

CHANGE	NOTE	PROJECTION	METRIC UNLESS OTHERWISE SPECIFIED. TOLERANCES: ANGLES: ±3 X.X = ±1 X.XX = ±0.5 X.XXX = ±0.025	 ARDENT CONCEPTS 4 MERRILL INDUSTRIAL DRIVE, SUITE 102 HAMPTON, NH 03842 (603) 474-1760
MATERIAL	SIZE	TITLE:	16 PAIR micro-LinkOVER, SMT MOUNT	
FINISH	INTERPRET GEOMETRIC TOLERANCING PER: ANSI Y14.5M 1982	DWG. NO.	mLO-S16X2-XXX-S-02	REV
		WWW.ARDENTCONCEPTS.COM	SCALE: 4:1	WEIGHT:
				SHEET 1 OF 2

PROPRIETARY AND CONFIDENTIAL
 THE INFORMATION CONTAINED IN THIS DRAWING IS THE SOLE
 PROPERTY OF ARDENT CONCEPTS, INC. ANY REPRODUCTION
 IN PART OR AS A WHOLE WITHOUT THE WRITTEN PERMISSION OF
 ARDENT CONCEPTS, INC. IS PROHIBITED.

P1	>	P2
B1	>	F16
B2	>	F15
B3	>	F14
B4	>	F13
B5	>	F12
B6	>	F11
B7	>	F10
B8	>	F9
B9	>	F8
B10	>	F7
B11	>	F6
B12	>	F5
B13	>	F4
B14	>	F3
B15	>	F2
B16	>	F1
F1	>	B16
F2	>	B15
F3	>	B14
F4	>	B13
F5	>	B12
F6	>	B11
F7	>	B10
F8	>	B9
F9	>	B8
F10	>	B7
F11	>	B6
F12	>	B5
F13	>	B4
F14	>	B3
F15	>	B2
F16	>	B1



**P1 TO P2
 CABLE ROUTING**

**BOTTOM SIDE VIEWED FROM THE BOTTOM
 PINOUT CONVENTION**

CHANGE NOTE PROJECTION	METRIC UNLESS OTHERWISE SPECIFIED. TOLERANCES: ANGLES: ±3 X.X = ±1 X.XX = ±0.5 X.XXX = ±0.25		 ARDENT CONCEPTS <small>INCORPORATED</small> 4 MERRILL INDUSTRIAL DRIVE, SUITE 102 HAMPTON, NH 03842 (603) 474-1760	
	MATERIAL: -- FINISH: --	C INTERPRET GEOMETRIC TOLERANCING PER: ANSI Y14.5M 1982		TITLE: 16 PAIR micro-LinkOVER, SMT MOUNT DWG. NO: mLO-S16X2-XXX-S-02 SCALE: 4:1 WEIGHT:
WWW.ARDENTCONCEPTS.COM		SCALE: 4:1	WEIGHT:	SHEET 2 OF 2